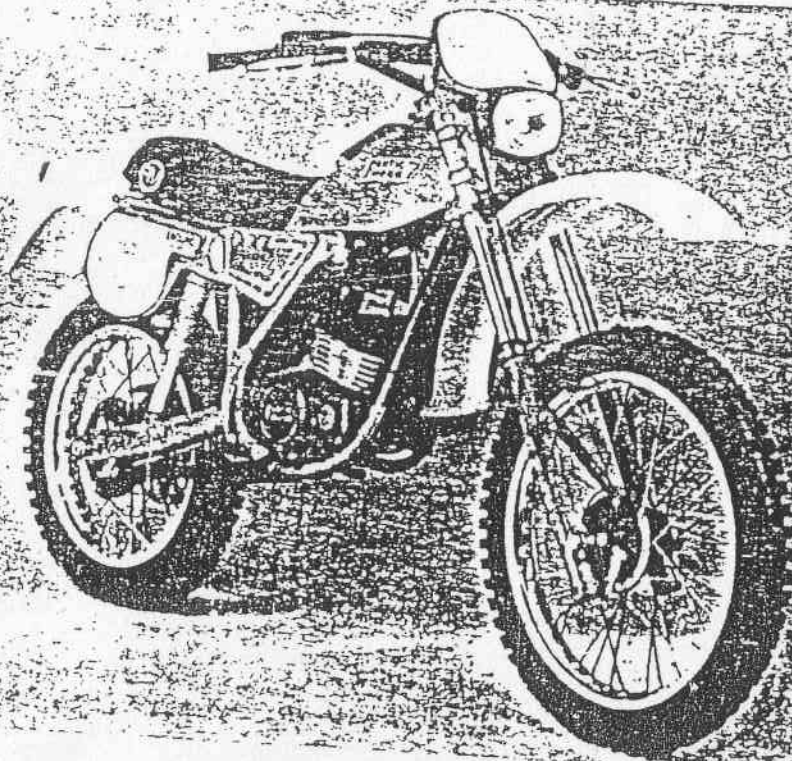


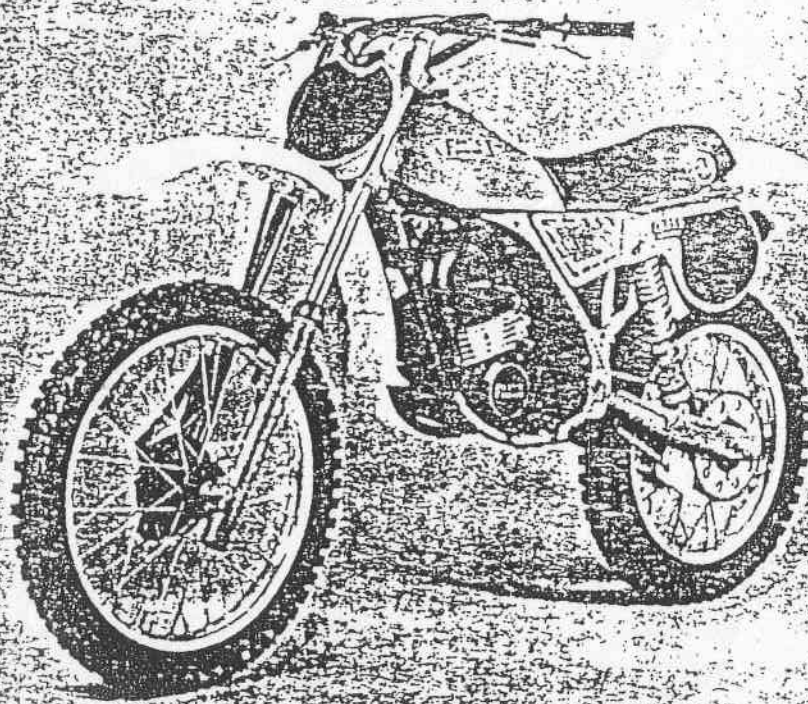
FANTIC

FANTIC MOTOR

- CATALOGO PARTI DI RICAMBIO (Telaio)
- CATALOGUE PIECES DETACHEES (Cadre)
- SPARE PARTS CATALOG (Frame)
- ERSATZTEILE KATALOG (Rahmen)



ENDURO 80cc. COMPETITION



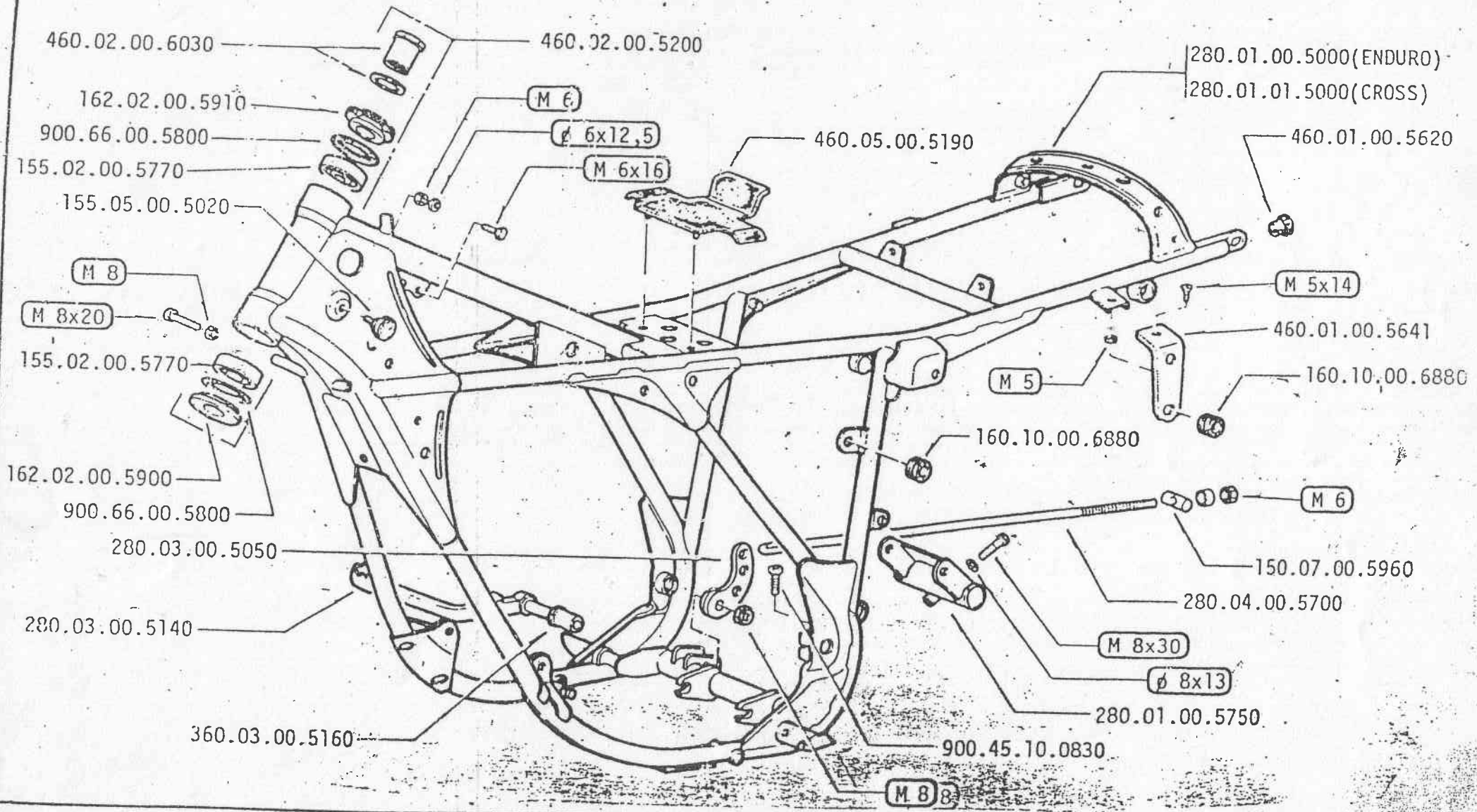
CROSS 80cc. COMPETITION

2-1982

ENDURO 80cc.Competition
CROSS 80cc.Competition

1/1

FANTIC
MOTOR

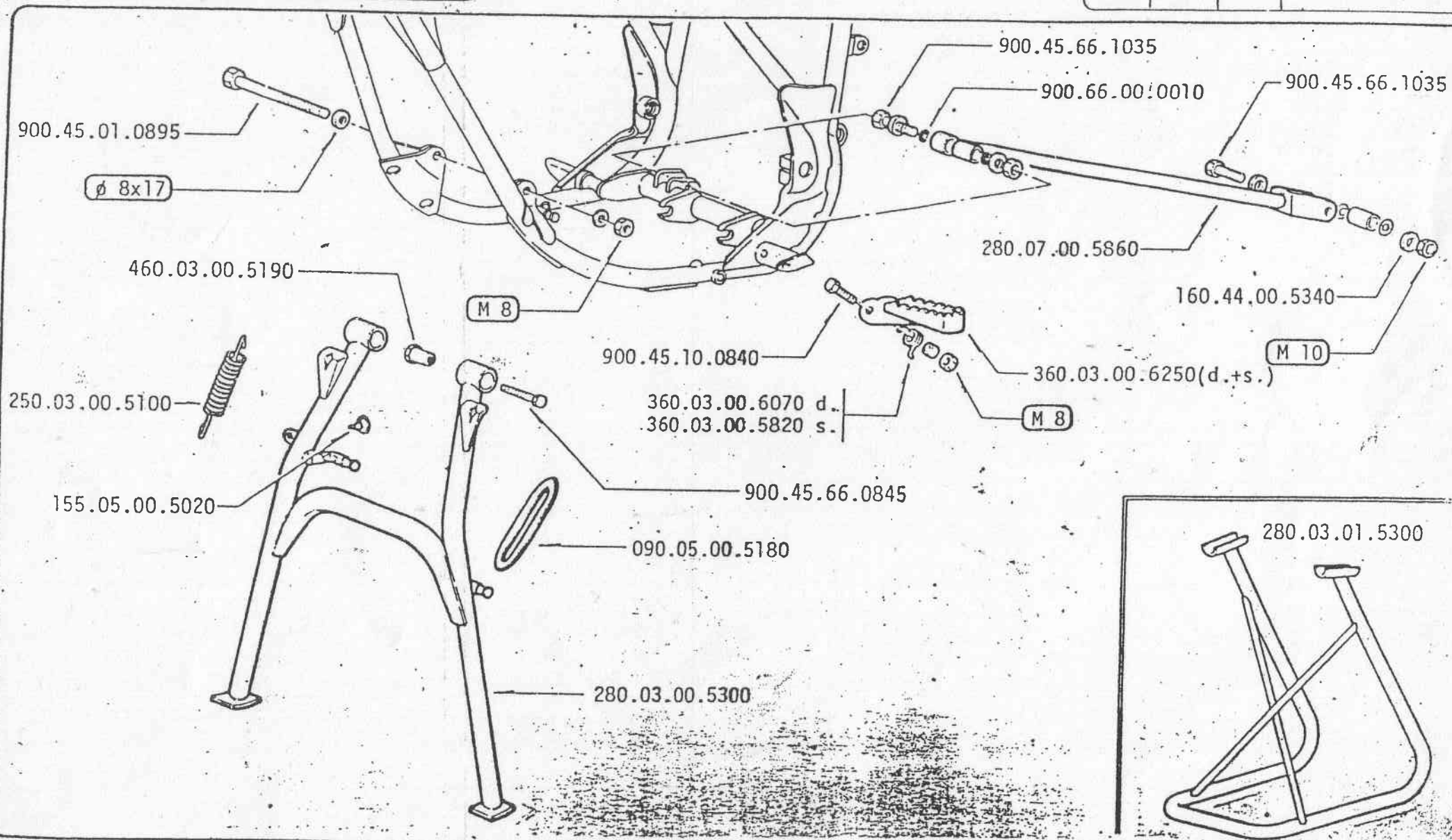


2-1982

ENDURO 80cc. Competition
CROSS 80cc. Competition

2/1

FANTIC
MOTOR



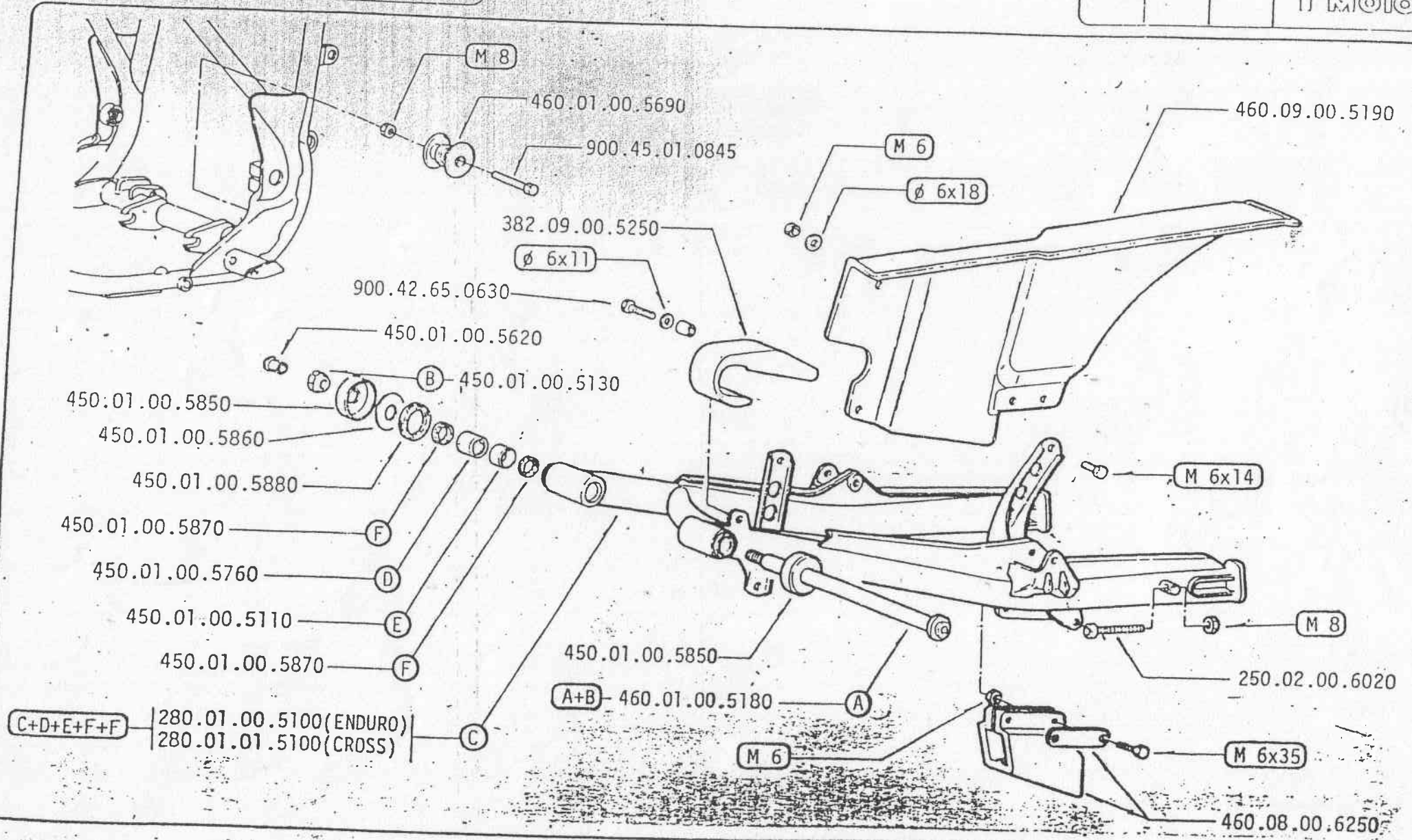
1982

ENDURO 80cc. Competition

CROSS 80cc. Competition

3/1

FANTIC MOTOR



2-1982

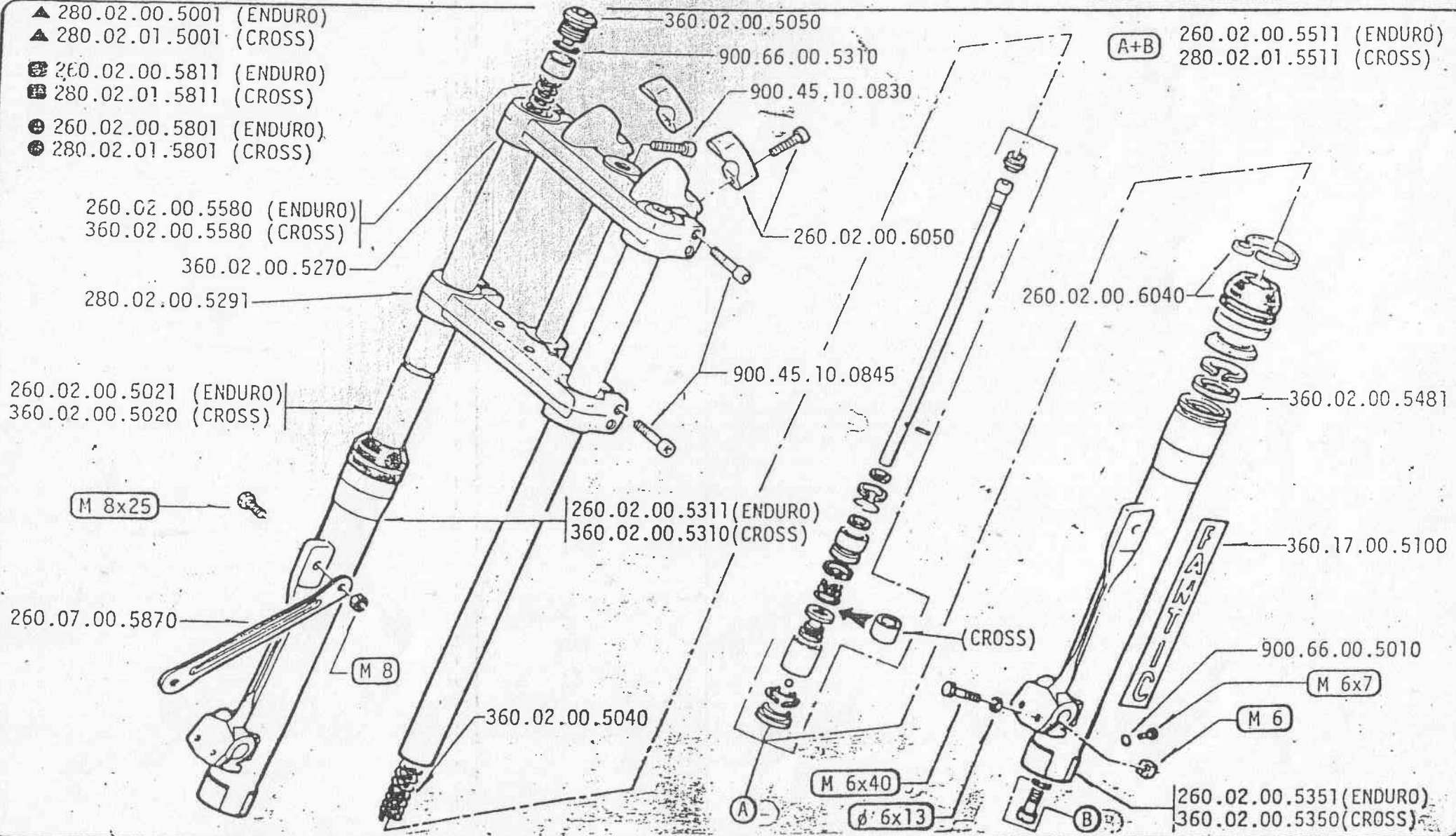
ENDURO 80cc.Competition
CROSS 80cc.Competition

4/1

FANTIC
MOTOR

- ▲ 280.02.00.5001 (ENDURO)
- ▲ 280.02.01.5001 (CROSS)
- 260.02.00.5811 (ENDURO)
- 280.02.01.5811 (CROSS)
- 260.02.00.5801 (ENDURO)
- 280.02.01.5801 (CROSS)

- (A+B) 260.02.00.5511 (ENDURO)
- 280.02.01.5511 (CROSS)



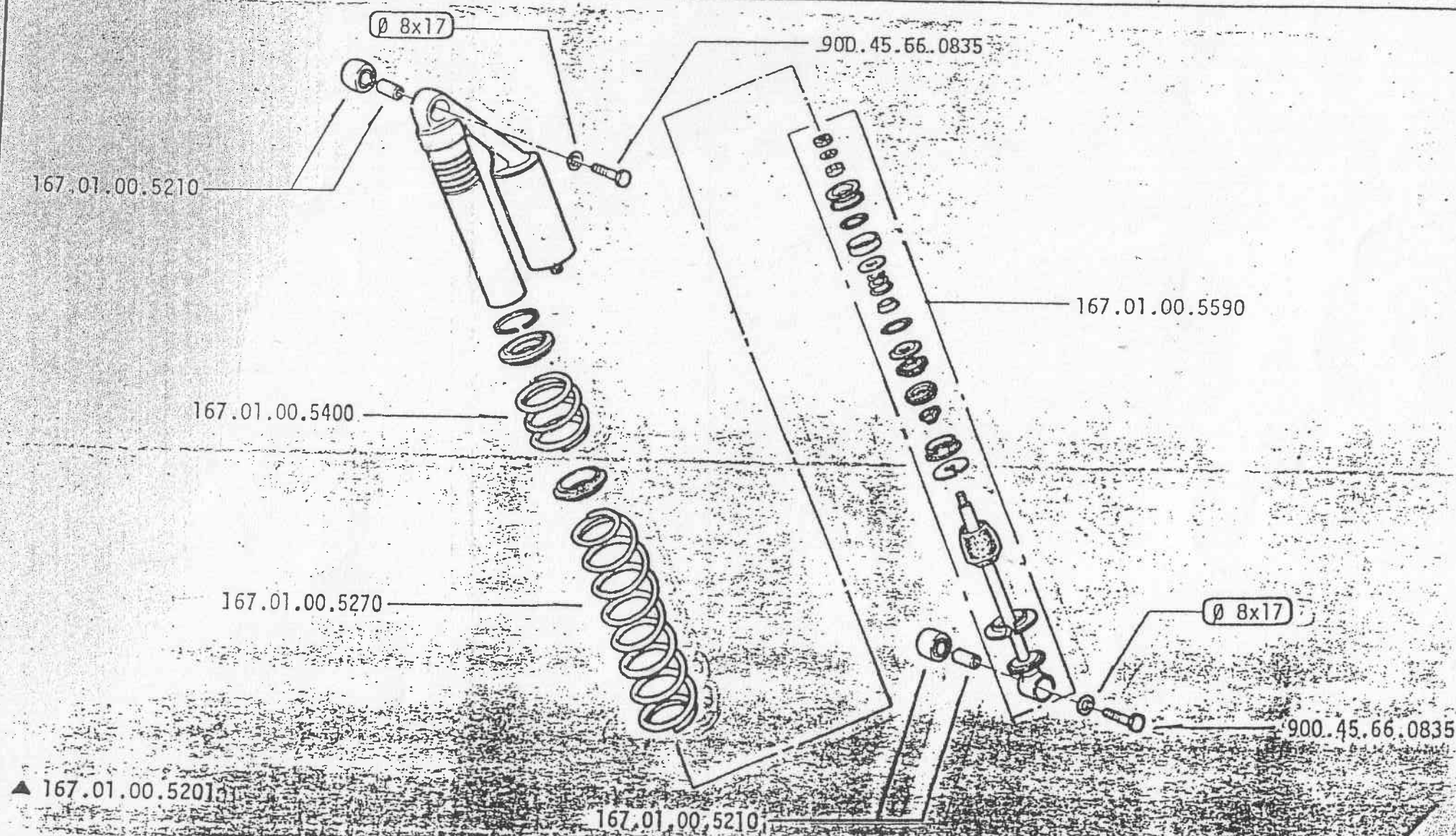
- ▲ Forcella anteriore completa
- ▲ Fourche avant complète
- ▲ Fork complete
- ▲ Vorderer Radgabel Komplet
- Gamba destra forcella completa
- Jambe droite complète
- Fork leg complete R/H
- Rechtes Gabelbein Komplet
- Gamba sinistra forcella completa
- Jambe gauche complète
- Fork leg complete L/H
- Linkes Gabelbein Komplet

2-1982

ENDURO 80cc.Competition
CROSS 80cc.Competition

5/1

FANTIC
MOTOR



▲ 167.01.00.5201

167.01.00.5210

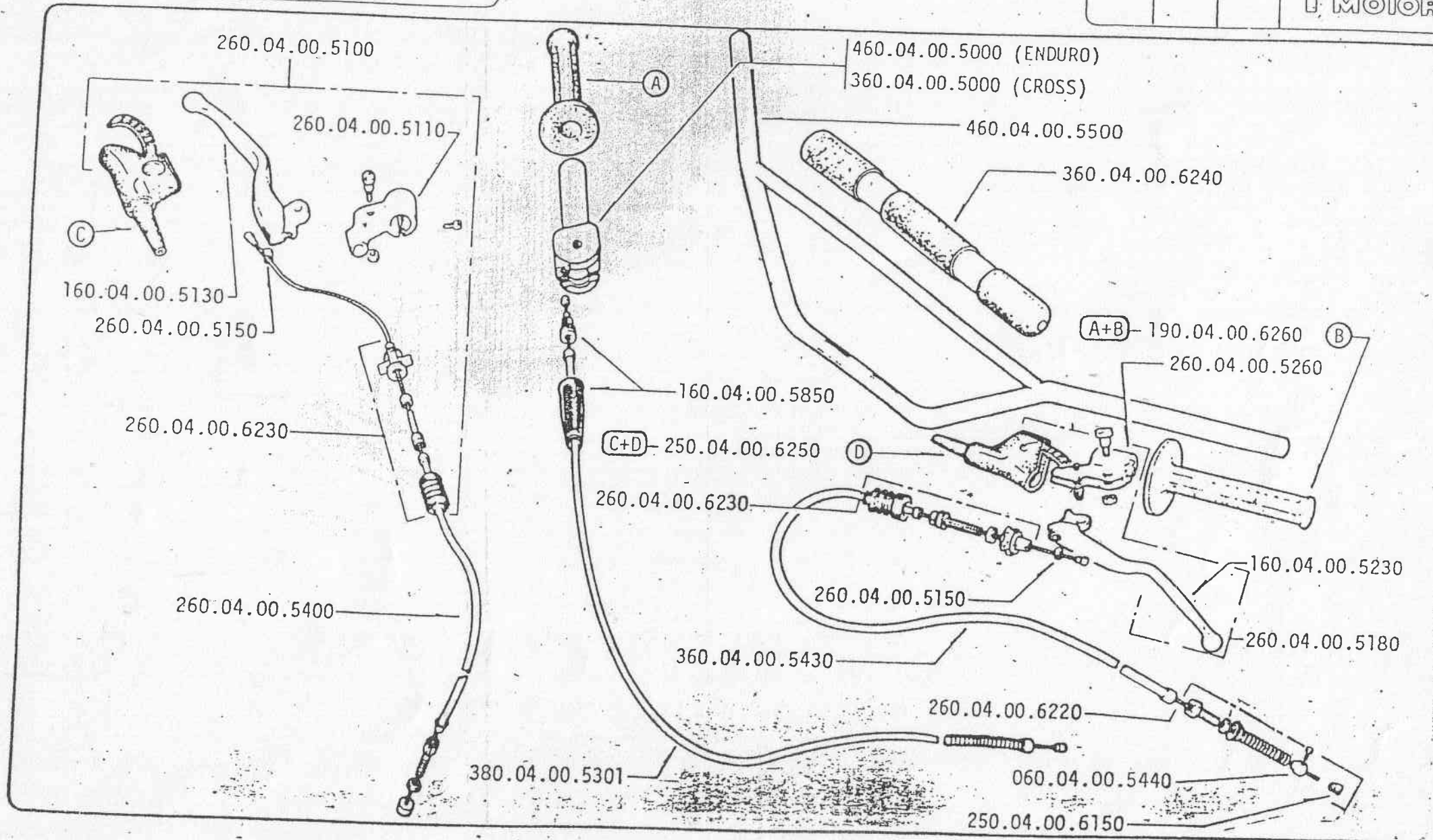
▲ Ammortizzatore completo ▲ Amortisseur complet ▲ Rear shock absorber complet ▲ hinterer Stossdämpfer komplett

2-1982

ENDURO 80cc.Competition
CROSS 80cc.Competition

6/1

FANTIC
MOTOR

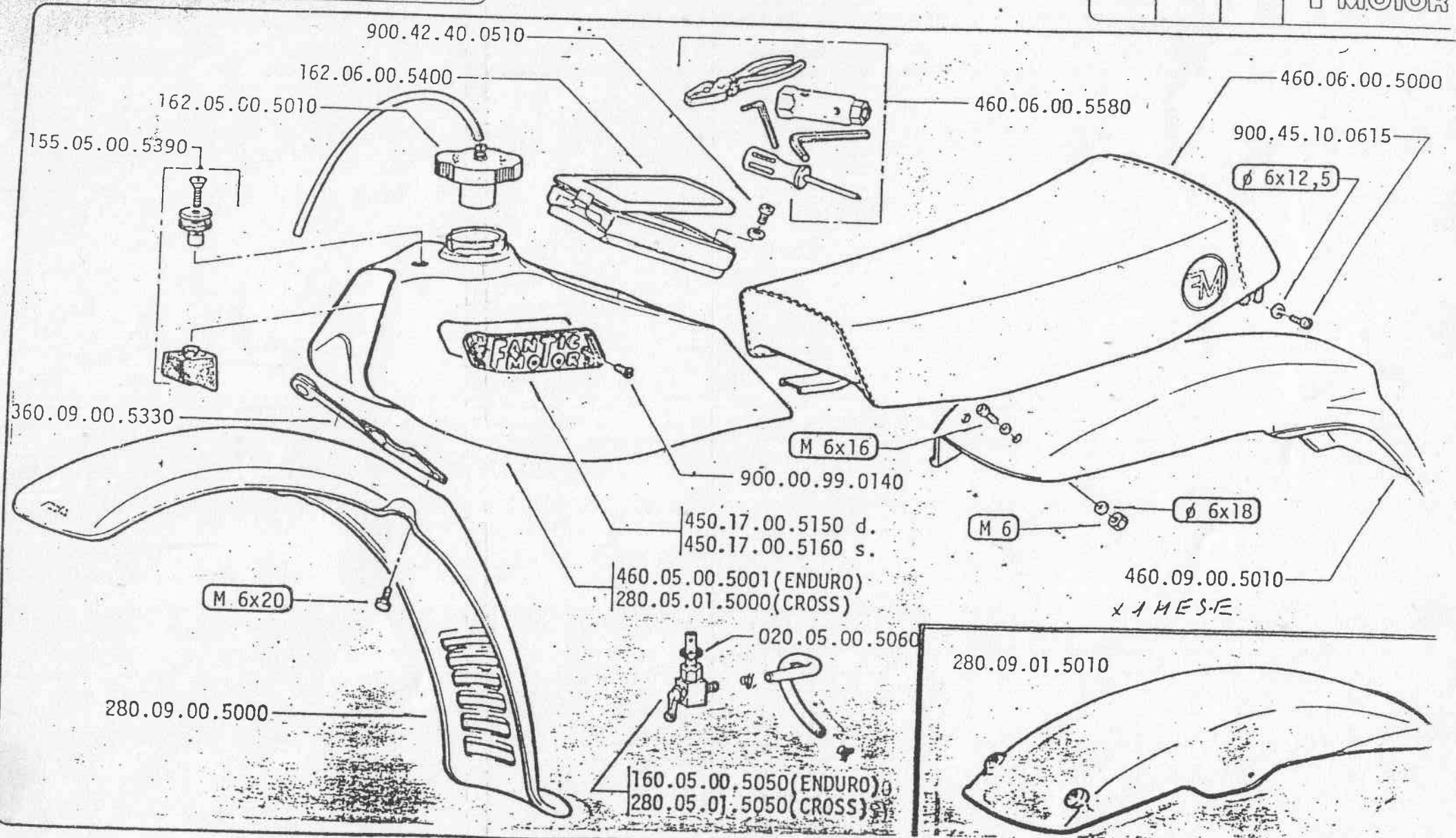


2-1982

ENDURO 80cc. Competition
CROSS 80cc. Competition

7/1

FANTIC MOTOR

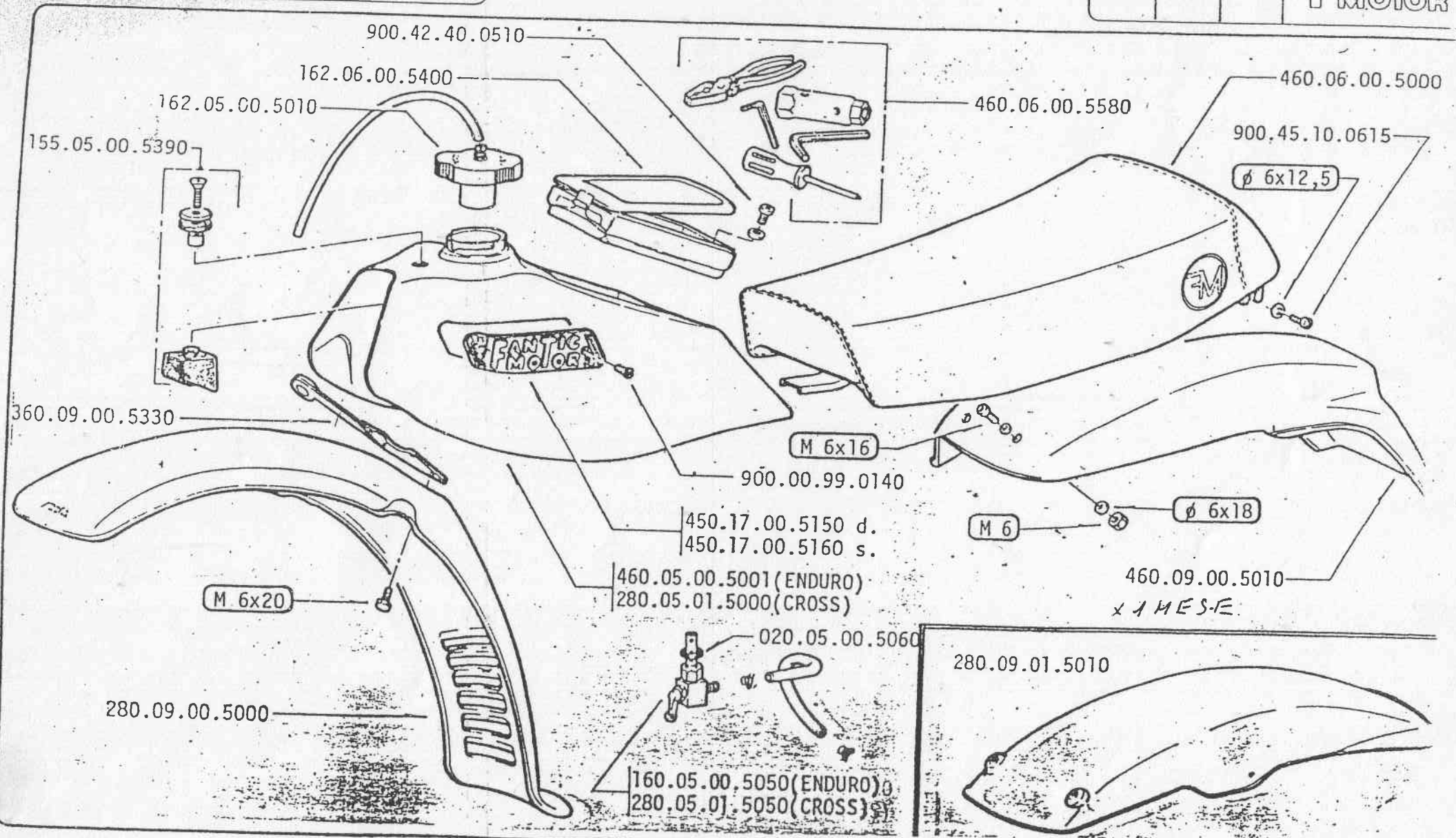


2-1982

ENDURO 80cc. Competition
CROSS 80cc. Competition

7/1

FANTIC MOTOR

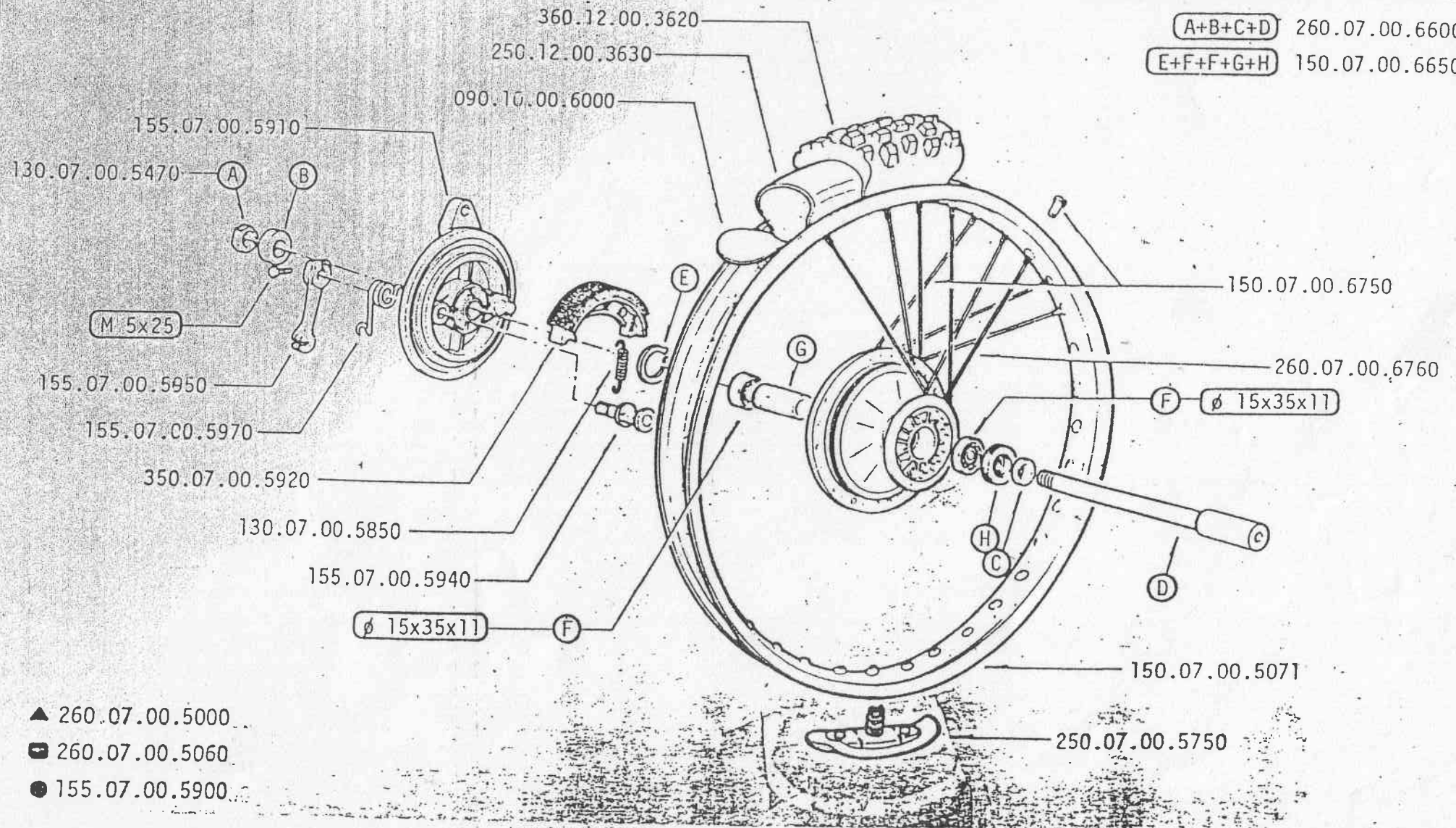


2-1982

ENDURO 80cc. Competition
CROSS 80cc. Competition

8/1

FANTIC MOTOR



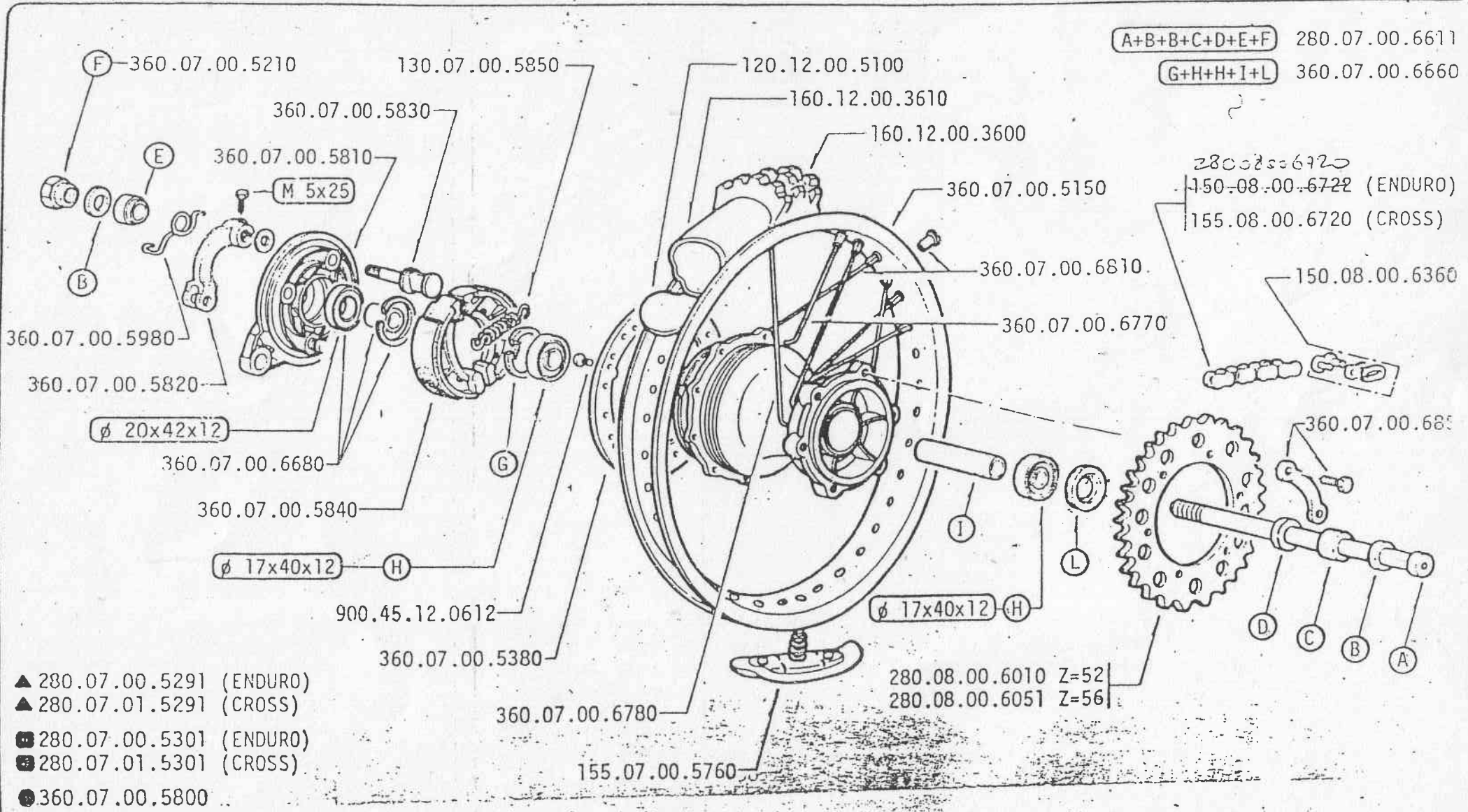
- | | | | |
|-----------------------------|---------------------------------|------------------------------|--------------------------|
| ▲ Ruota anteriore completa | ▲ Roue avant complète | ▲ Front wheel complete | ▲ Vorderrad komplett |
| ■ Mozzo anteriore completo | ■ Moyeu avant complet | ■ Front hub complete | ■ Vorderradnabe komplett |
| ● Disco portaceppi completo | ● Disque porte-machoirs complet | ● Front brake plate complete | ● Bremsplatte komplett |

2-1982

ENDURO 80cc. Competition
CROSS 80cc. Competition

9/1

FANTIC
MOTOR



- | | | | |
|--|--|-----------------------------|---------------------------------|
| ▲ ruota posteriore completa | ▲ Roue arrièrè complète | ▲ Rear wheel complete | ▲ Hinterrad Komplet |
| ■ Mozzo posteriore completo | ■ Moyeu arrièrè complet | ■ Rear hub complete | ■ Hinterradnabe Komplet |
| ● Disco portaceppi posteriore completo | ● Disque porte-machoirès arrièrè complet | ● Rear brake plate complete | ● Hinterradbremssplatte Komplet |

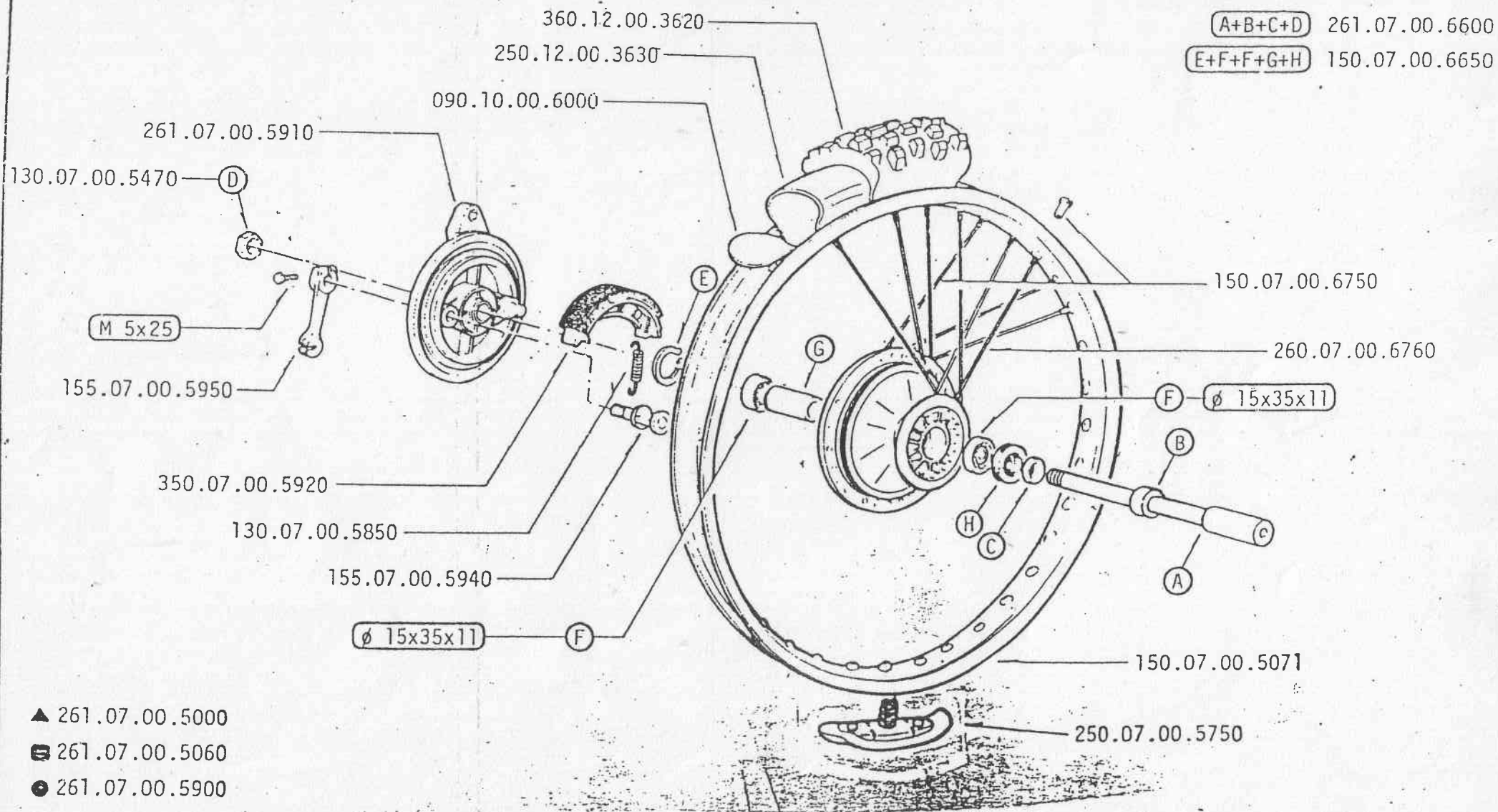
2-1982

ENDURO 80cc. Competition

Ruota anteriore per veicoli provvisti di contactometri
 Roue avant pour véhicules avec compteurs kilométriques
 Front wheel for vehicles supplied with speedometer
 Vorderrad für Motorräder mit Kilometerzähler

10/1

FANTIC MOTOR



(A+B+C+D) 261.07.00.6600

(E+F+G+H) 150.07.00.6650

- ▲ 261.07.00.5000
- 261.07.00.5060
- 261.07.00.5900

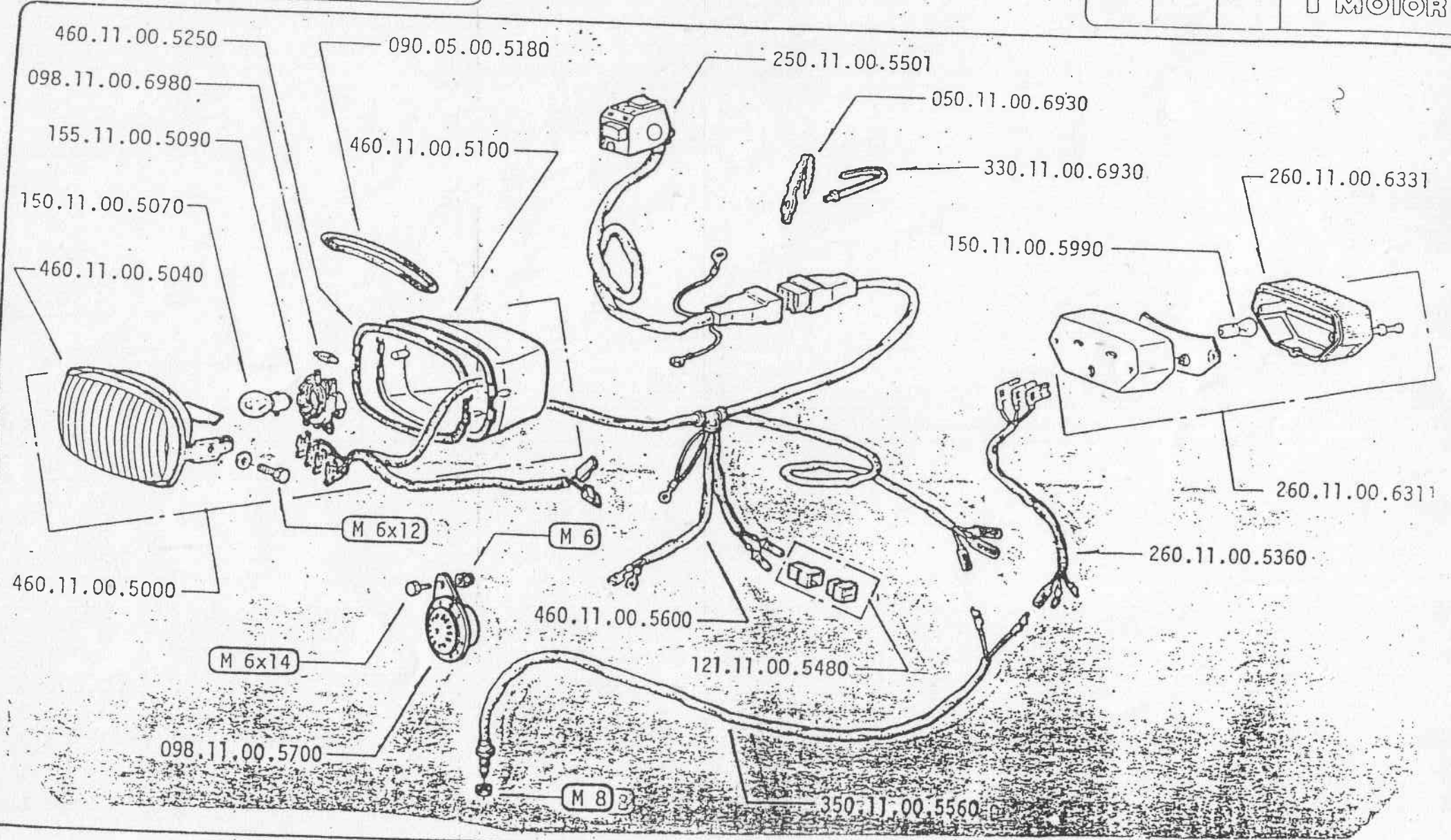
- | | | | |
|-----------------------------|---------------------------------|------------------------------|--------------------------|
| ▲ Ruota anteriore completa | ▲ Roue avant complète | ▲ Front wheel complete | ▲ Vorderrad komplett |
| ■ Mozzo anteriore completo | ■ Moyeu avant complet | ■ Front hub complete | ■ Vorderradnabe komplett |
| ● Disco portaceppi completo | ● Disque porte-machoirs complet | ● Front brake plate complete | ● Bremsplatte komplett |

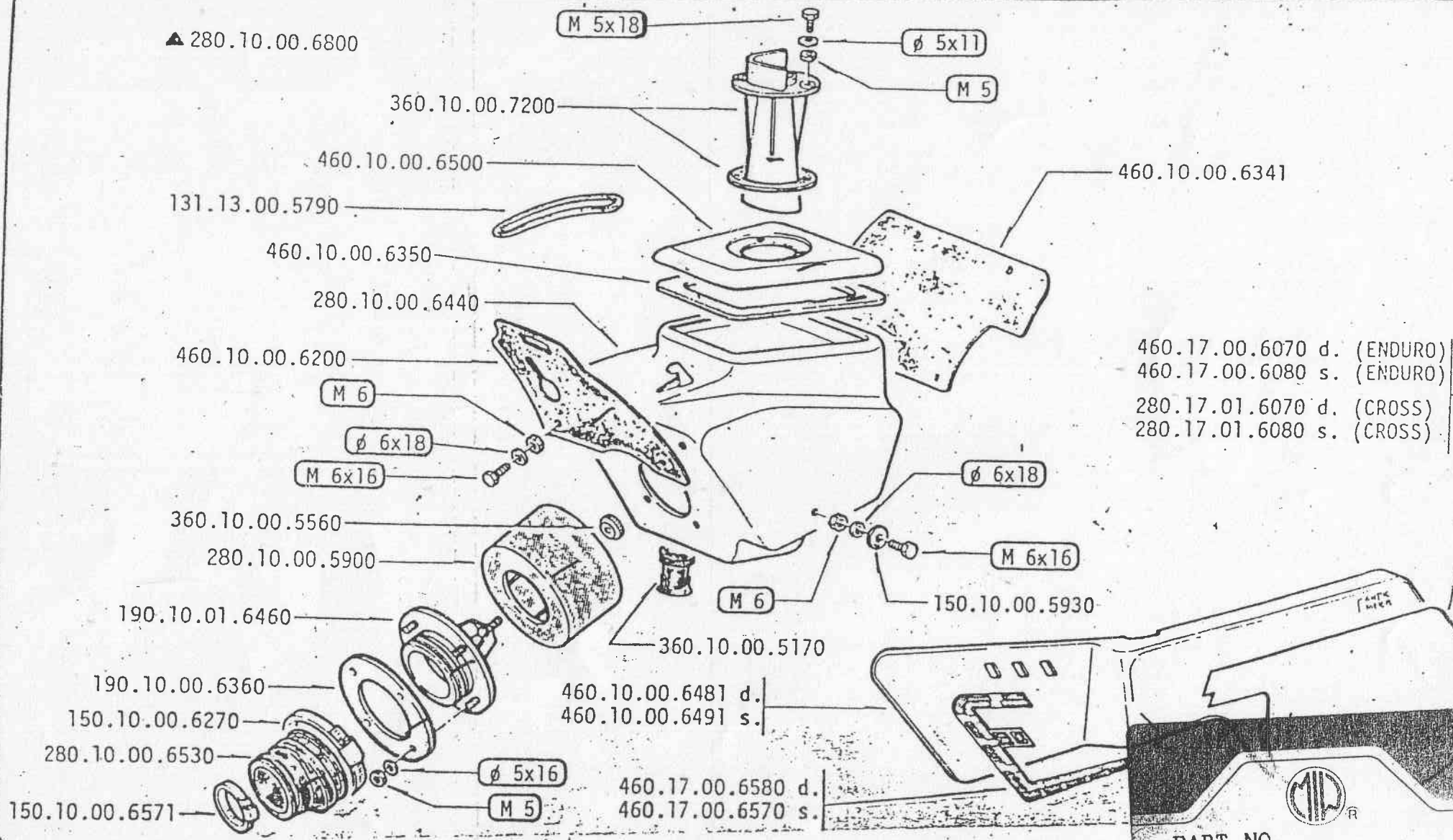
2-1982

ENDURO 80cc. Competition

11/1		

FANTIC MOTOR





▲ Gruppo di aspirazione completo. ▲ Groupe aspiration complet. ▲ Group intake assembly.

MIC

PART NO.
13780-12D00
M.I.W AIR FILTER
SUZUKI
DR650R

MADE IN JAPAN

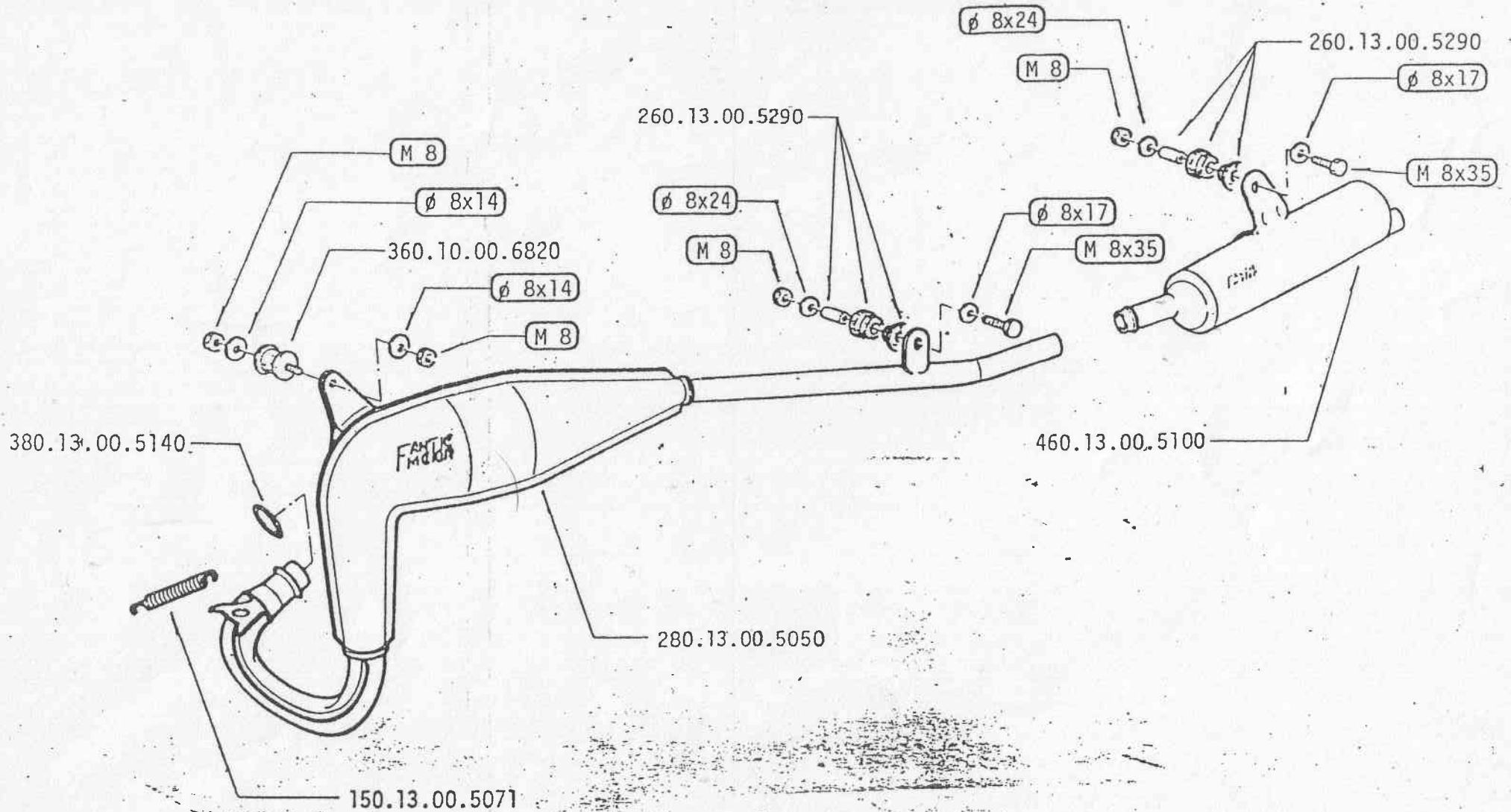
2-1982

ENDURO 80cc. Competition

CROSS 80cc. Competition

13/1

FANTIC MOTOR

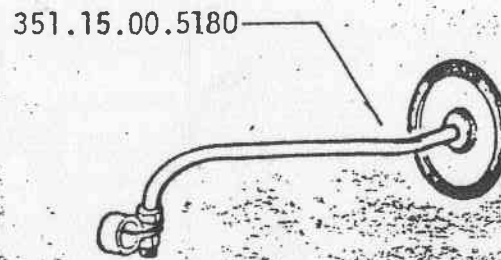
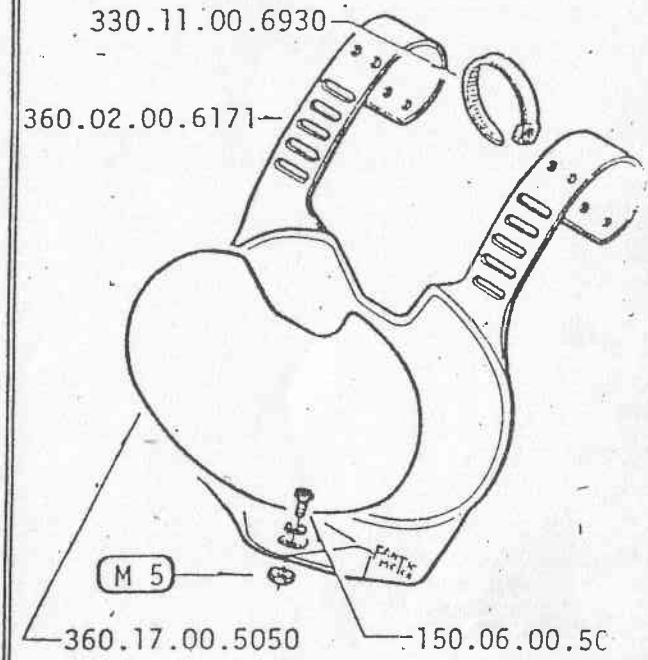
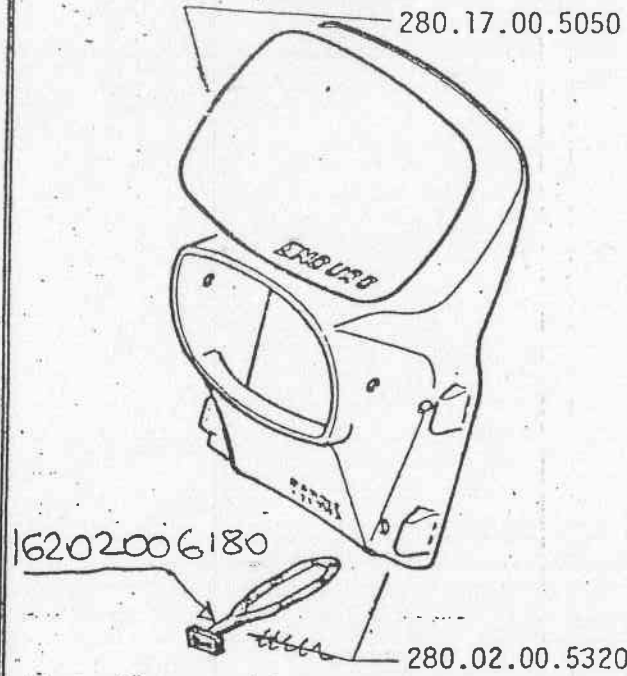
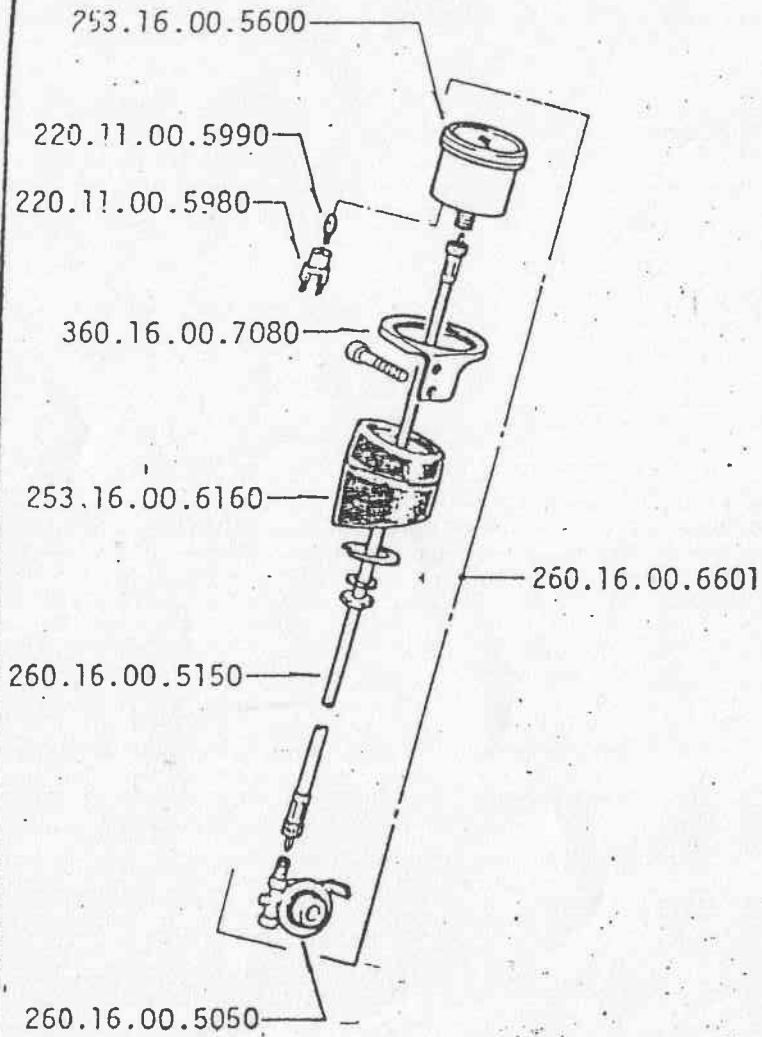


2-1982

ENDURO 80cc. Competition
CROSS 80cc. Competition

14/7

PANTIC
MOTOR



2-1982

ENDURO 80cc. Competition
CROSS 80cc. Competition

15/1

FANTIC
MOTOR

150.11.00.6750

160.45.00.6000

160.11.00.6730

A+B+C 280.45.00.5100 (ENDURO)
A+B 280.45.00.5110 (CROSS)

160.45.00.5140

280.45.00.5250 (ENDURO)

∅ 4x8

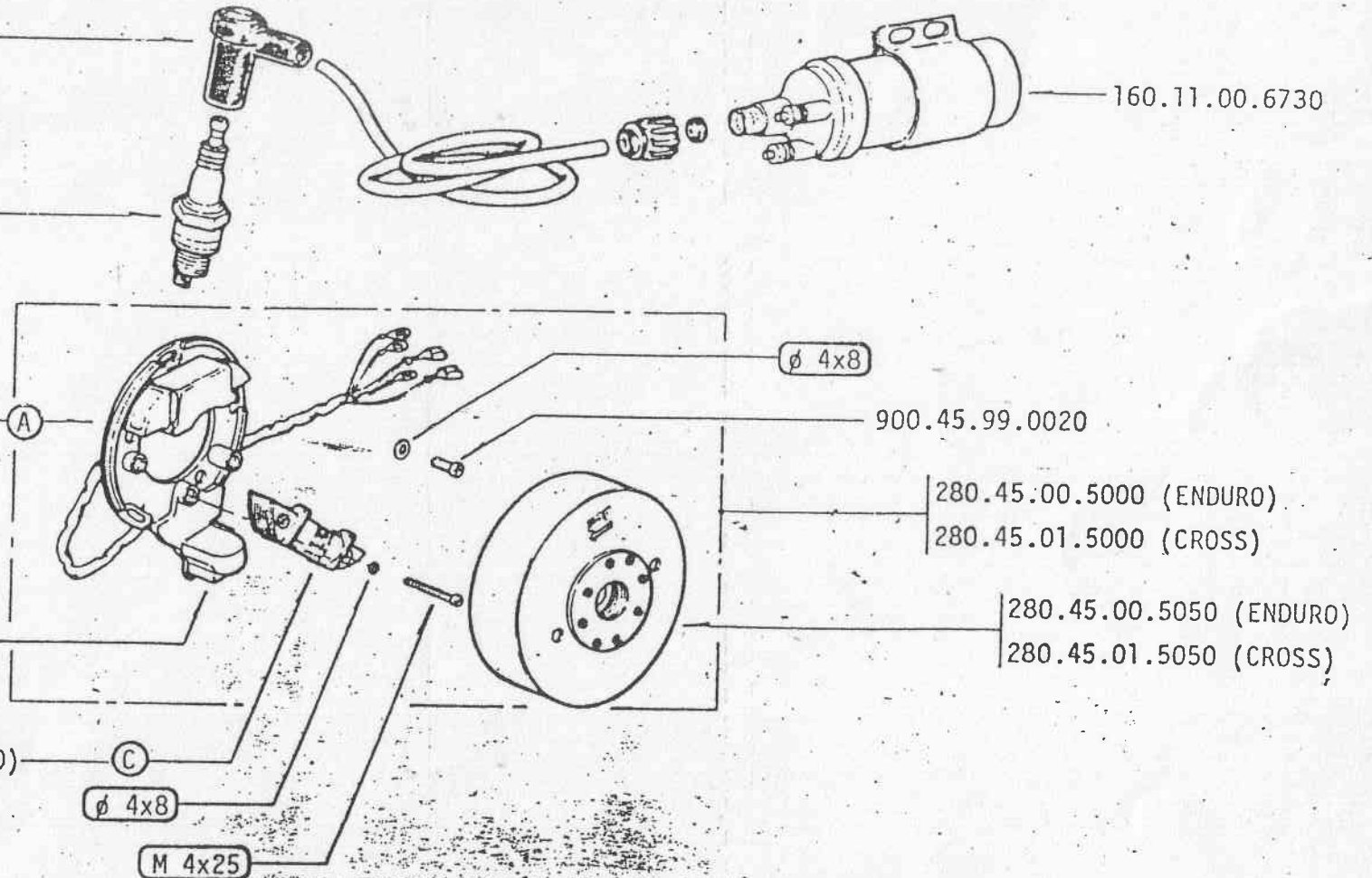
900.45.99.0020

280.45.00.5000 (ENDURO)
280.45.01.5000 (CROSS)

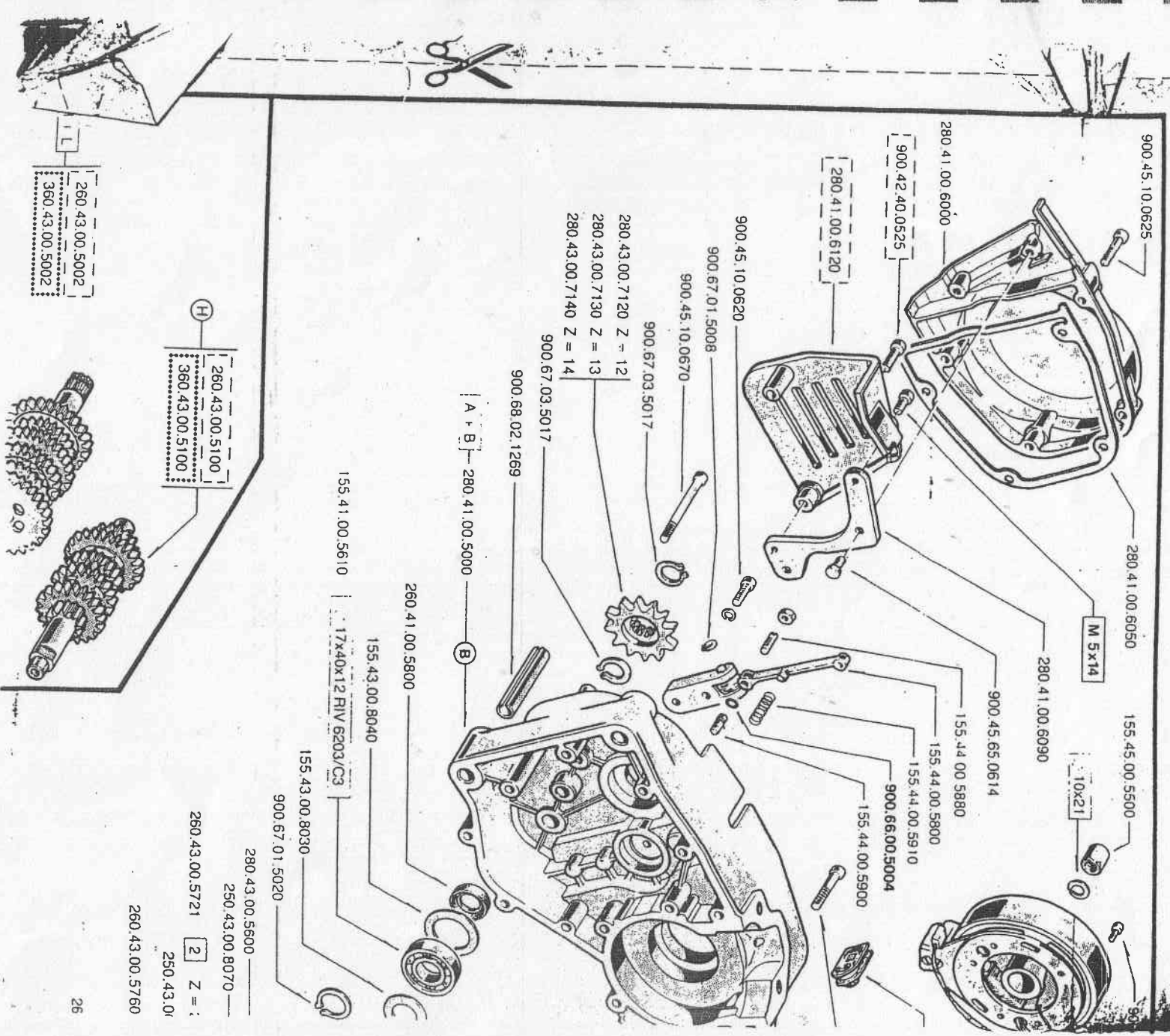
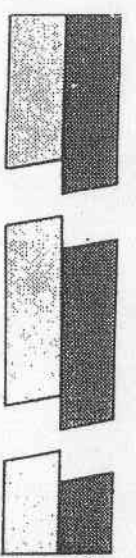
280.45.00.5050 (ENDURO)
280.45.01.5050 (CROSS)

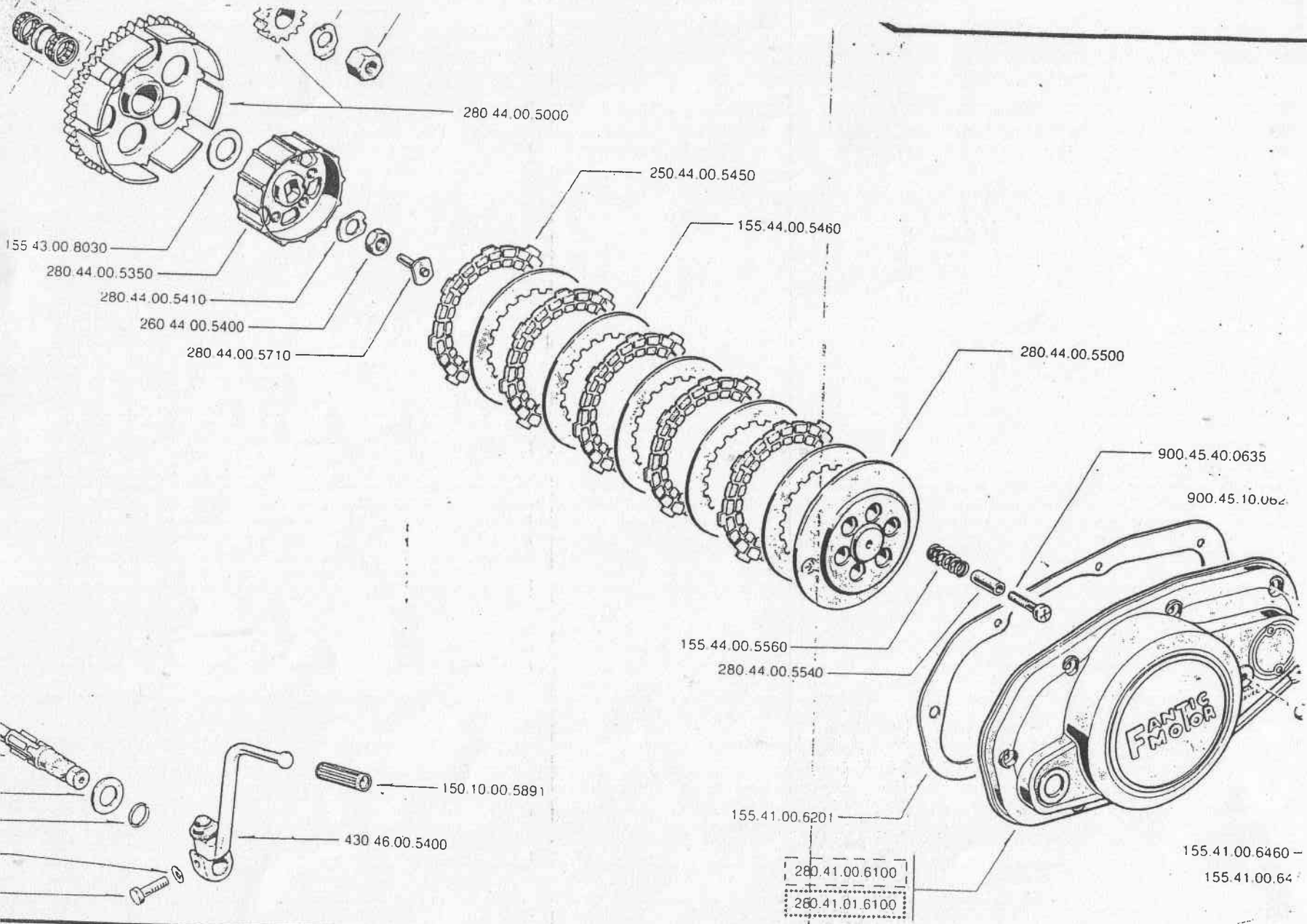
∅ 4x8

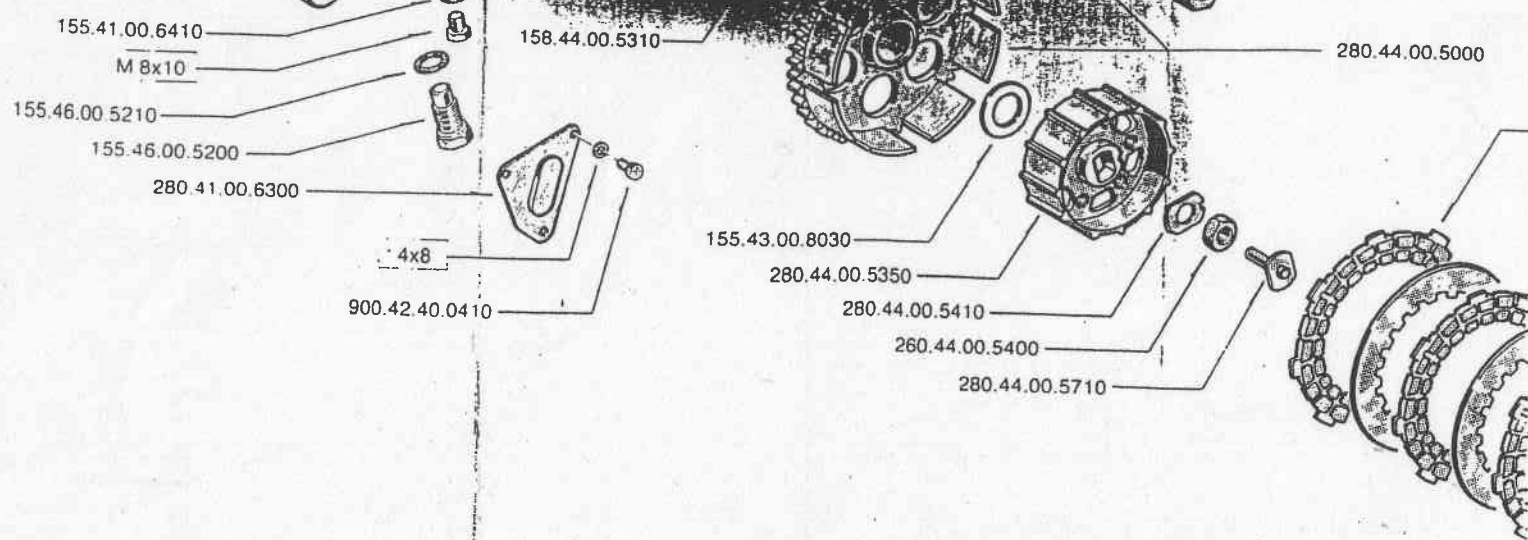
M 4x25



FAN MOTOR

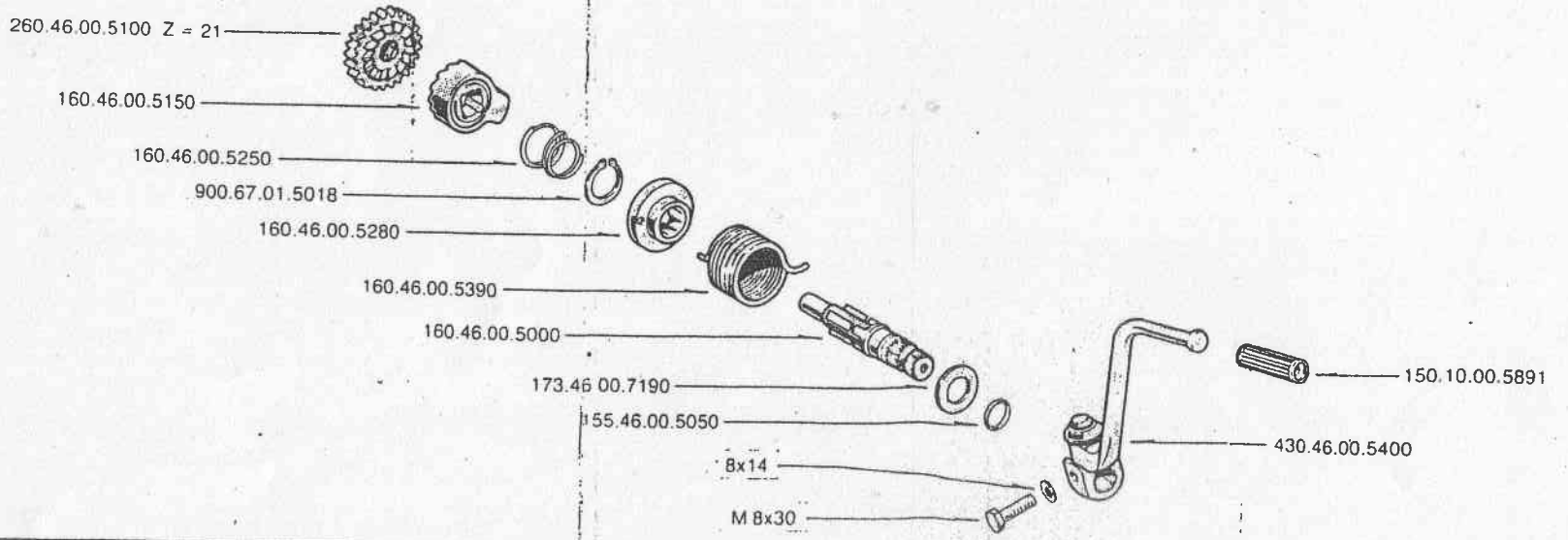






050
050

5.41.00.5910
5.41.00.5910



4 Z = 20

100

3 00 5350 5 Z = 22

160.13.00.5830

280.47.00.5900

360

260.43.00.5200 1 Z = 11

155.41.00.5610 17x40x12 RIV 6203/C3

280.44.00.5700

160.02.00.5980

155.41.00.6350

155.41.00.6360

A - B - 280.41.00.5000

155.44.00.5990

360

3

280.42.00.5190

280.44.00.5410

280.44.00.5200

155.43.00.8030

280.44.00.5000

155.41.00.6410

158.44.00.5310

M 8x10

155.46.00.5210

155.46.00.5200

280.41.00.6300

4x8

900.42.40.0410

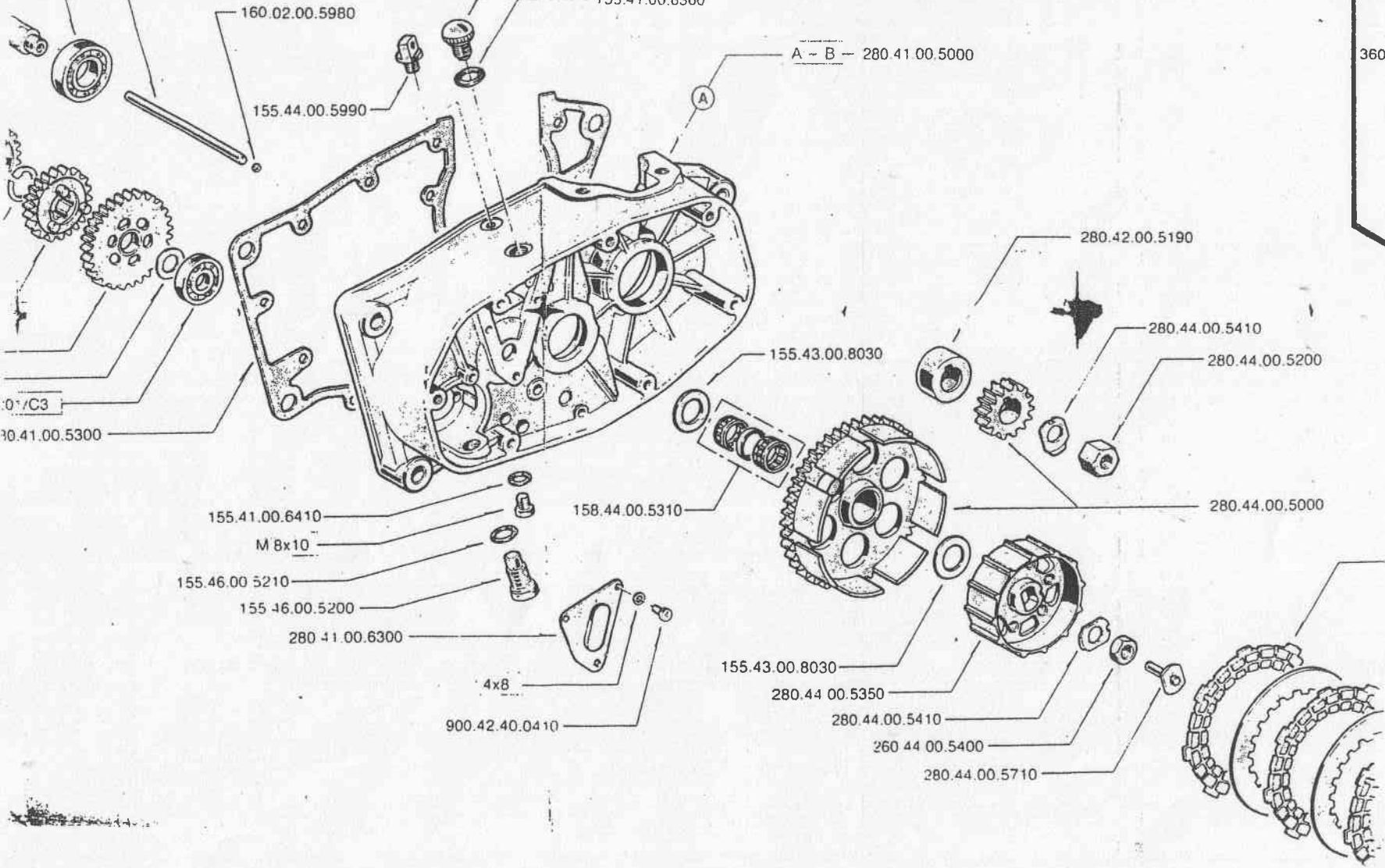
155.43.00.8030

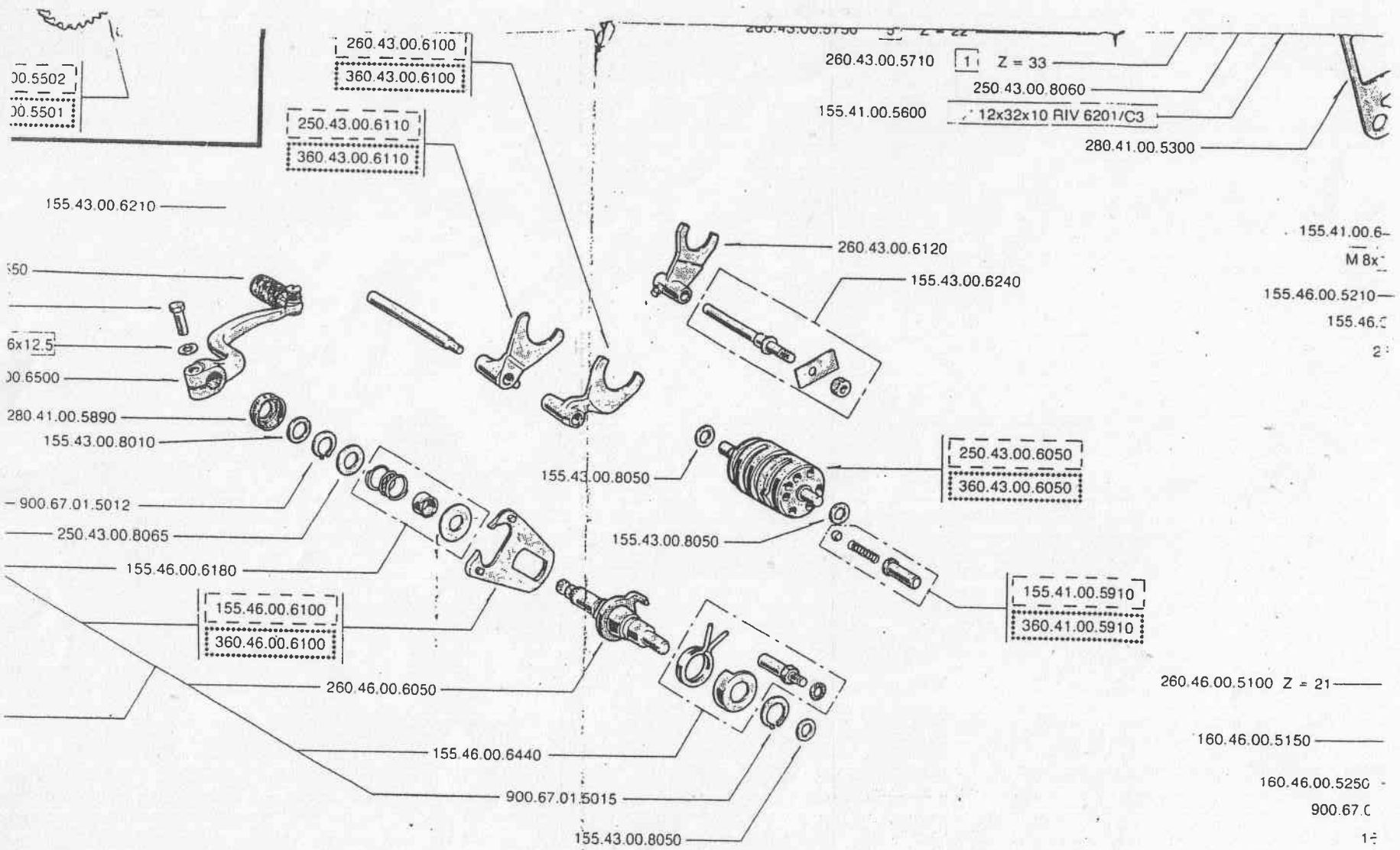
280.44.00.5350

280.44.00.5410

260.44.00.5400

280.44.00.5710





1 Z = 33
 250.43.00.8060
 12x32x10 RIV 6201/C3

155.41.00.6-
 M 8x
 155.46.00.5210
 155.46.C
 2

ENDURO - CROSS

90020



280.45.00.5000
280.45.01.5000

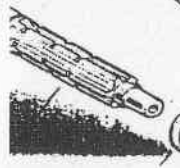
280.45.00.5520

10.45.10.0640

41.00.5410

155.41.00.5600

250.43.00.8060



280.41.00.9500
20x47x14 RIV 6204 TN9/C303

280.42.00.5000

12x32x10 RIV 6201/C3

260.43.00.5320 2 Z = 14

260.43.00.5360 6 Z = 24

250.43.00.6000

260.43.00.5400 3 Z = 17

250.43.00.6000 4 Z = 20

250.43.00.6000

260.43.00.5350 5 Z = 22

260.43.00.5200 1 Z = 11

155.41.00.5610 17x40x12 RIV 6203/C3

280.44.00.5700

E 380.47.00.5400

D+E+F+G 280.47.00.5200

D

280.47.00.5600

F

280.47.00.5650

G

280.42.00.5300

155.45.00.5510

280.42.00.5600

250.44.00.5150

380.41.00.5410

260.41.00.5500

380.47.00.6140

20x47x14 RIV 6204 TN9/C303

280.48.00.5050

160.10.00.6570

6x12.5

M 6

160.13.00.5830

155.41.00.6350

155.41.00.6360