

FANTIC MOTOR

Modello 1981

Modèle 1981

Model 1981

Für das 1981 Modell



CABALLERO 50 cc ENDURO *competition*

CABALLERO 75 cc ENDURO *competition*

FH 380-160

C1

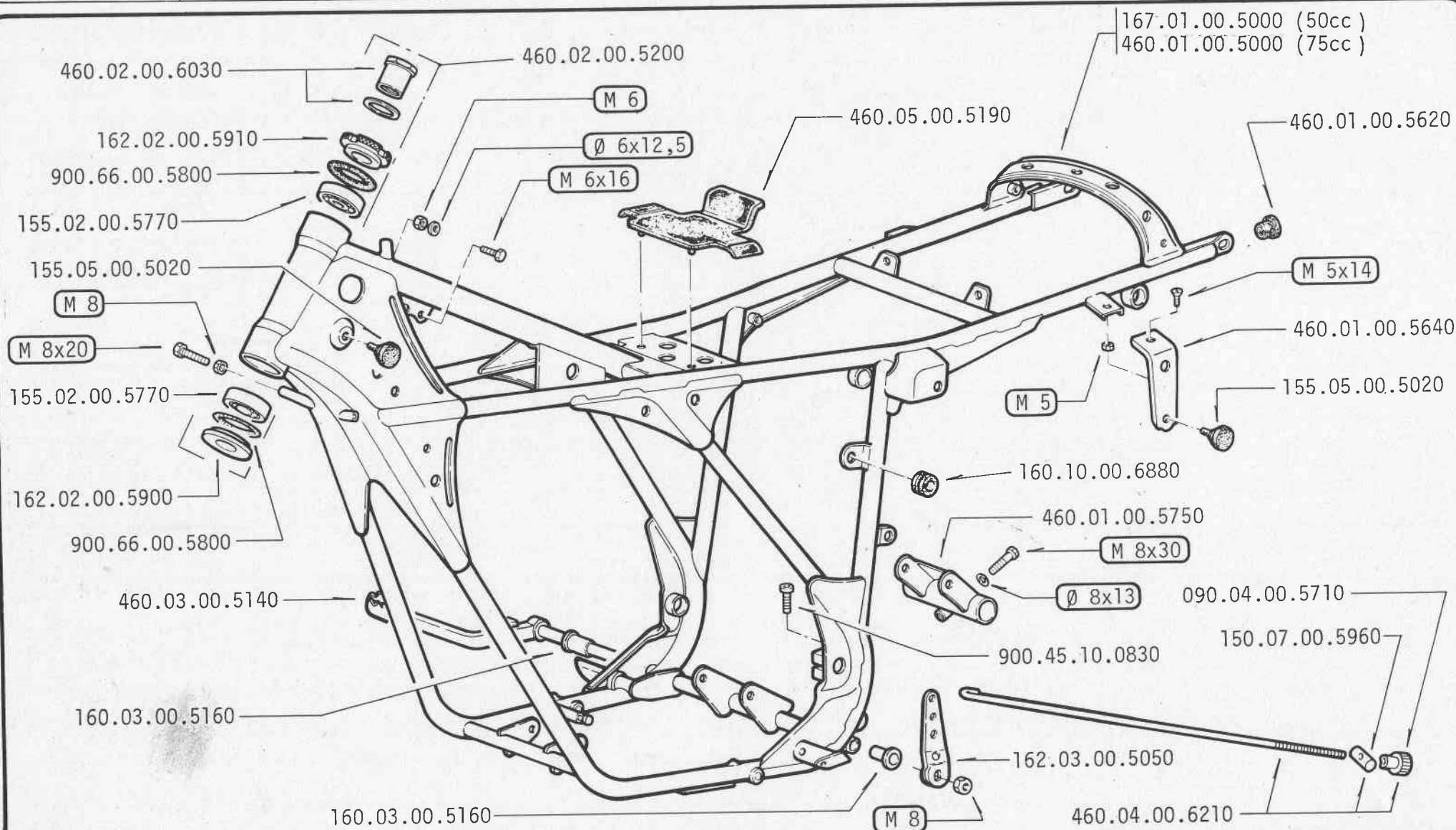
CABALLERO 50cc ENDURO COMPETITION
CABALLERO 75cc ENDURO COMPETITION

6 - 1981

C

1/1

FANTIC MOTOR



C2

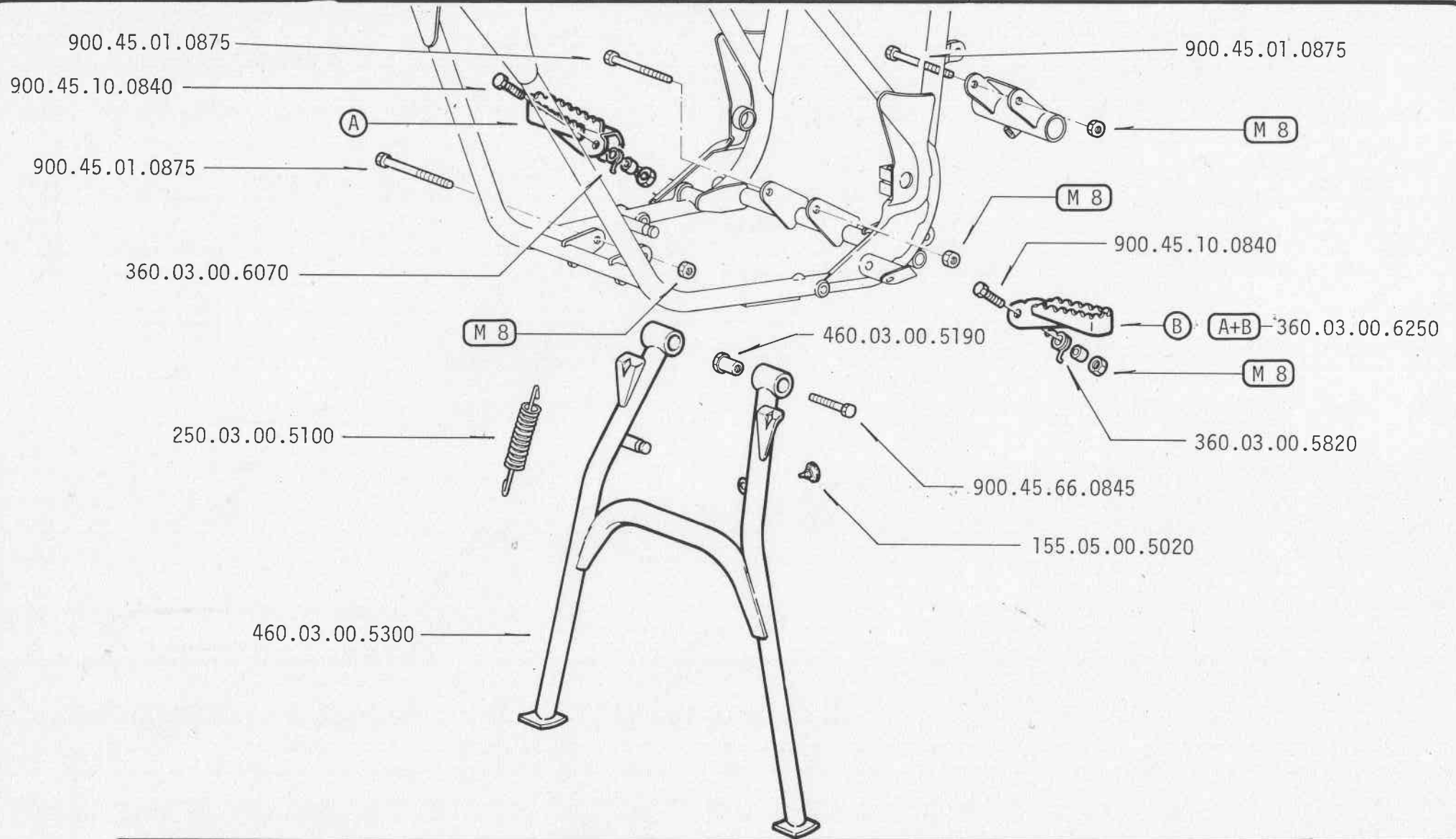
CABALLERO 50cc ENDURO COMPETITION
CABALLERO 75cc ENDURO COMPETITION

6 - 1981

C

2/1

FANTIC MOTOR



C3

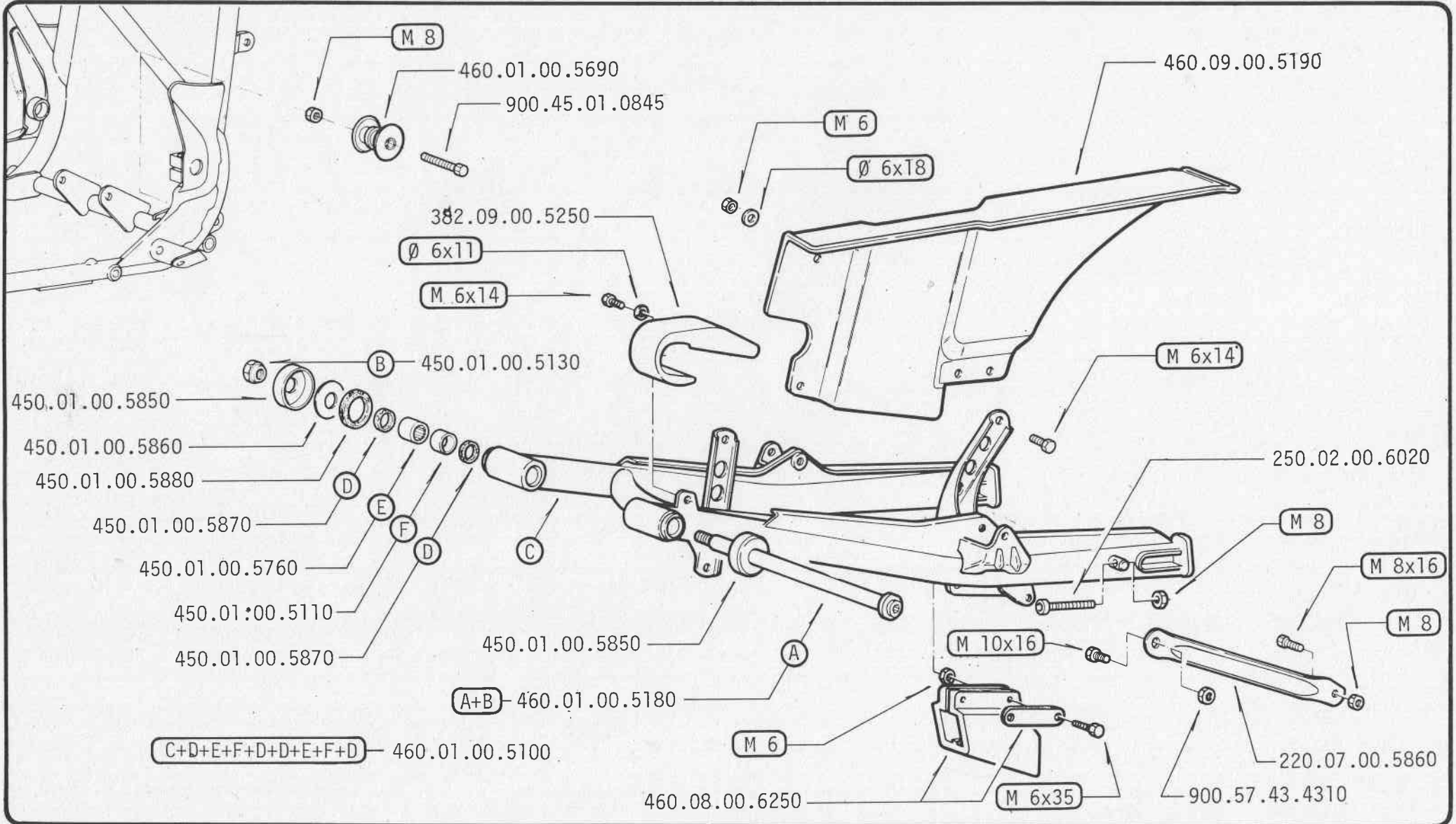
CABALLERO 50cc ENDURO COMPETITION
CABALLERO 75cc ENDURO COMPETITION

6 - 1981

C

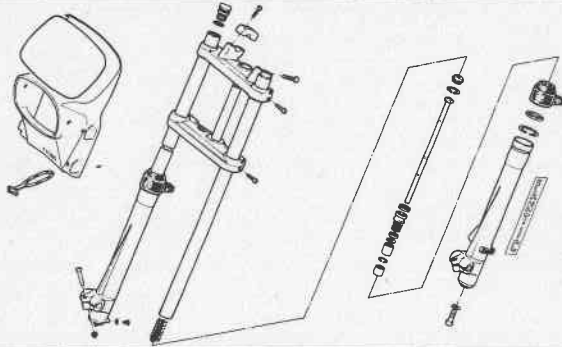
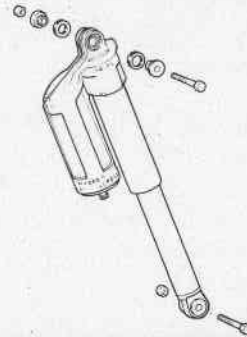
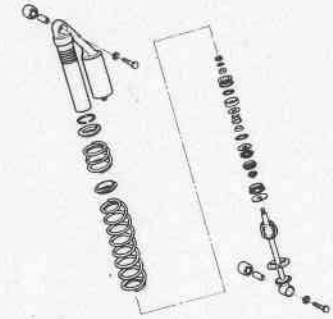
3/1

FANTIC
MOTOR



DCABALLERO 50cc ENDURO COMPETITION
CABALLERO 75cc ENDURO COMPETITION

6 - 1981

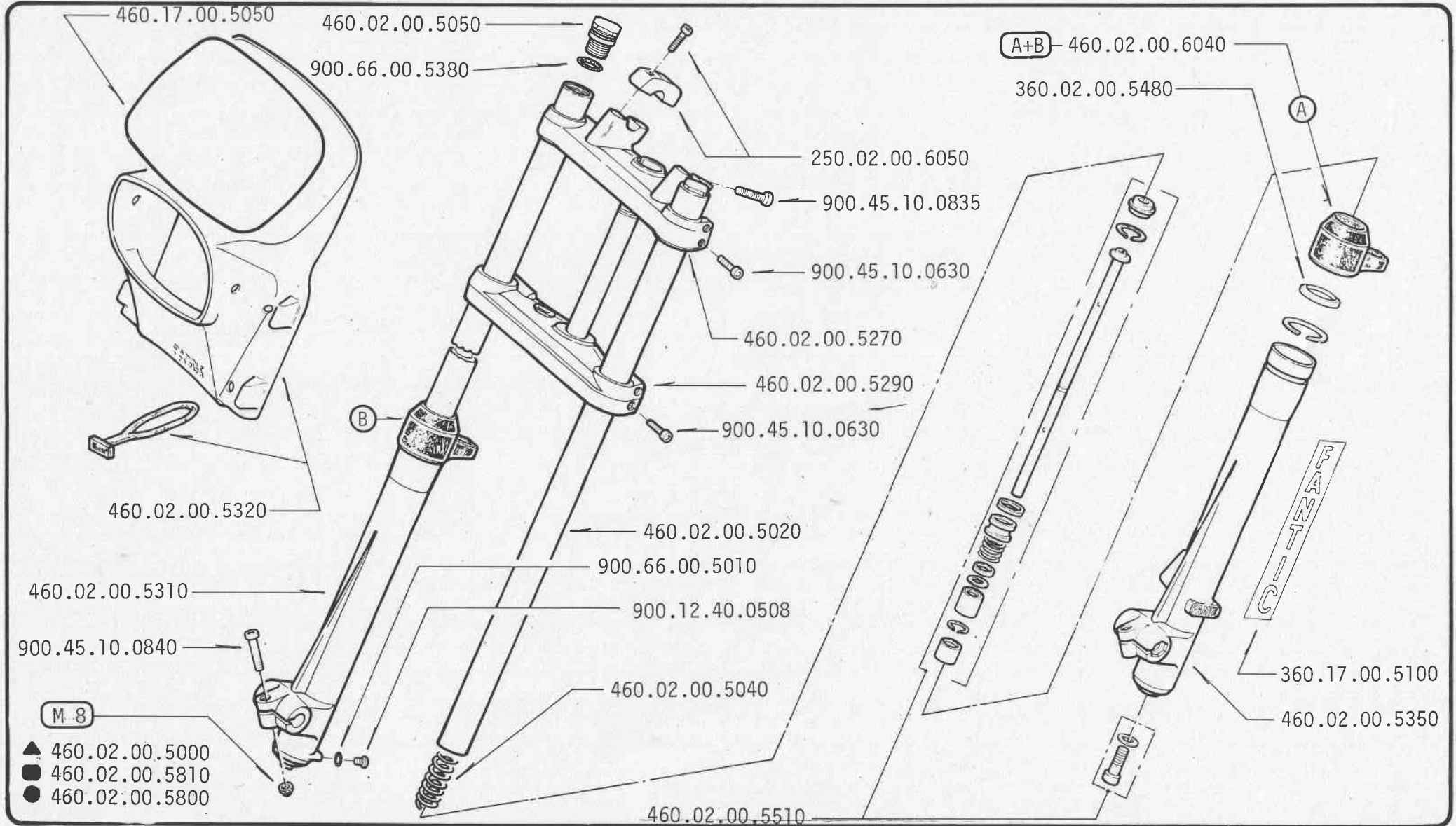
FORCELLA ANTERIORE - AMMORTIZZATORI POSTERIORI
FOURCHE AVANT - AMORTISSEUR ARRIER
FRONT FORK - REAR SHOCK ABSORBER
VORDERE RADGABEL - HINTERER STROSSDAMPFER**FANTIC
MOTOR****D1****D2****D3****D4****D5****D6****D7****D8****D9**

D1CABALLERO 50cc ENDURO COMPETITION
CABALLERO 75cc ENDURO COMPETITION

6 - 1981

D

1/1

**FANTIC
MOTOR**

- ▲ Forcella anteriore completa
- Gamba destra forcella completa
- Gamba sinistra forcella completa

- ▲ Fourche avant complète
- Jambe droite complète
- Jambe gauche complète

- ▲ Fork complet
- Fork leg complete R/H
- Fork leg complete L/H

- ▲ Vordere Radgabel Komplet
- Rechtes Gabelbein Komplet
- Linkes Gabelbein Komplet

D2°

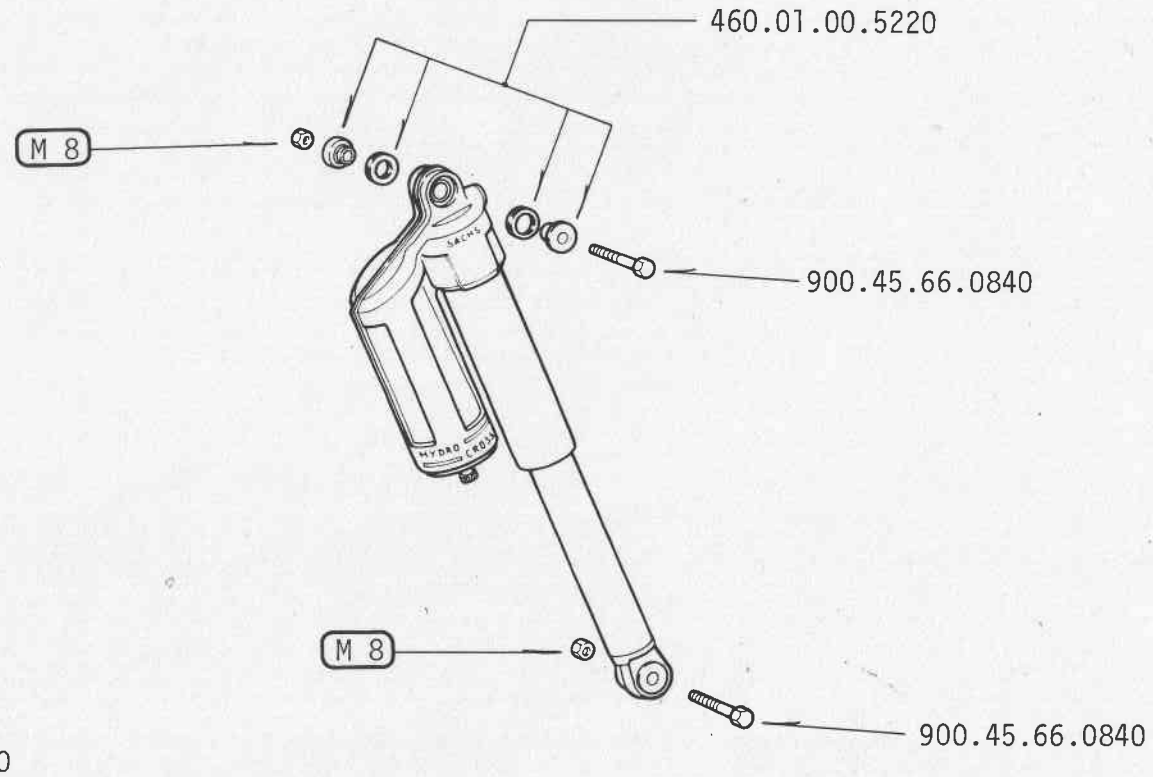
CABALLERO 50cc ENDURO COMPETITION
CABALLERO 75cc ENDURO COMPETITION

6 - 1981

D

2/1

PANTIC MOTOR



▲ Ammortizzatore completo

▲ Amortisseur complet

▲ Rear shock absorber complet

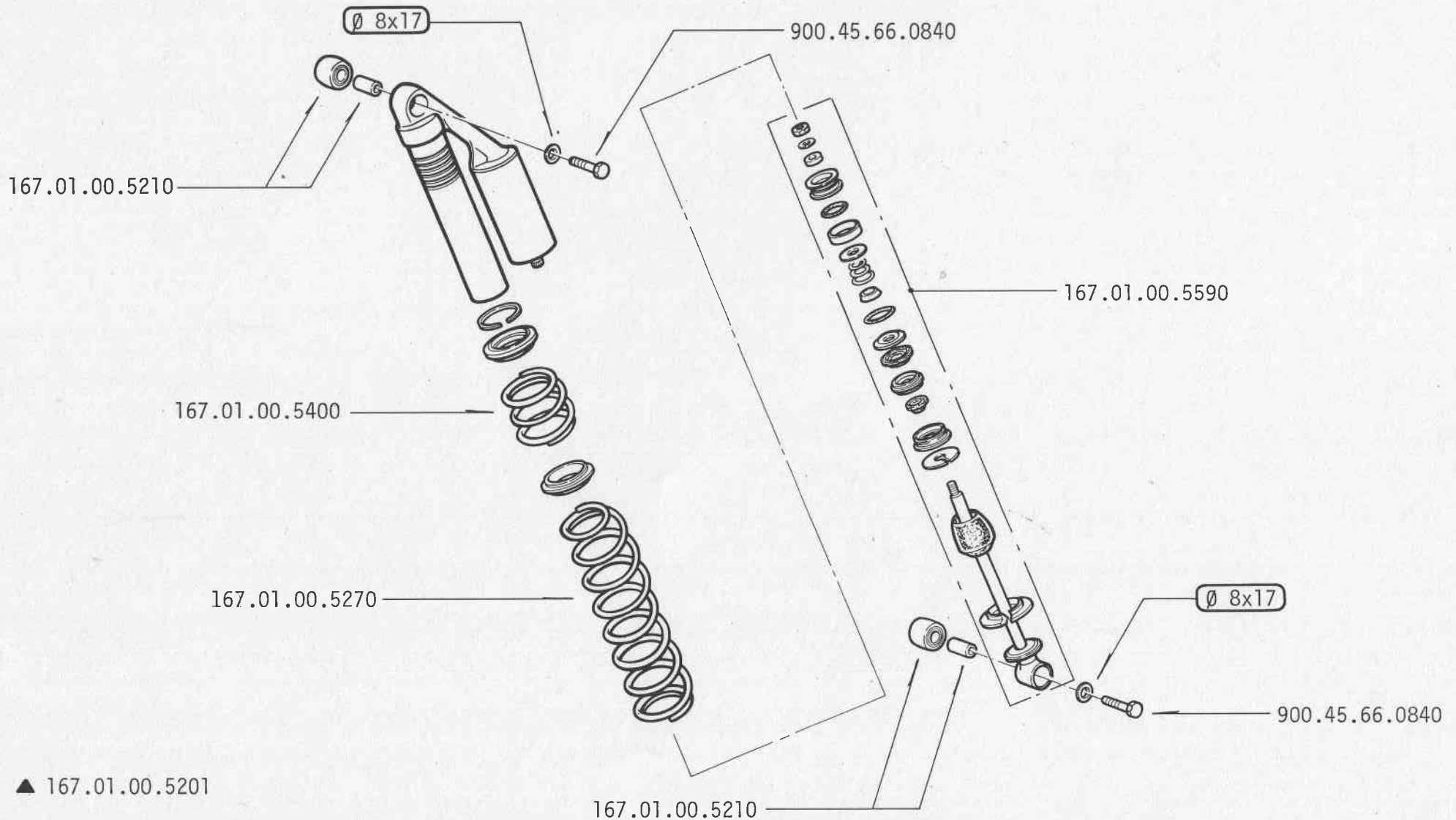
▲ Hinterer Stossdämpfer Komplett

D3CABALLERO 50cc ENDURO COMPETITION
CABALLERO 75cc ENDURO COMPETITION

6 - 1981

D

3/1

**FANTIC
MOTOR**

▲ 167.01.00.5201

▲ Ammortizzatore completo

▲ Amortisseur complet

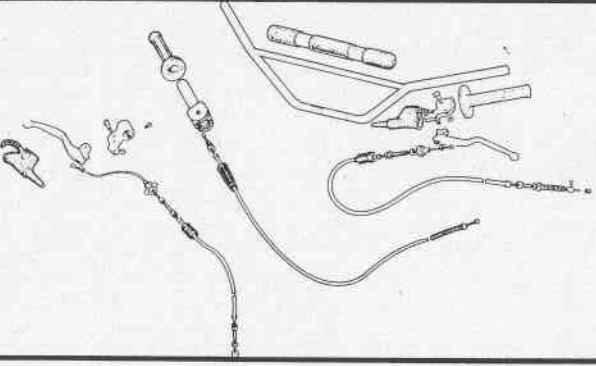
▲ Rear shock absorber complet

▲ Hinterer Stossdämpfer Komplett

ECABALLERO 50cc ENDURO COMPETITION
CABALLERO 75cc ENDURO COMPETITION

6 - 1981

MANUBRIO - COMANDI - TRASMISSIONI
GUIDON - COMMANDES - TRANSMISSIONS
HANDLEBAR - CONTROLS - CABLES
LENKER - BETÄTIGUNGS - ZUGS**FANTIC
MOTOR**

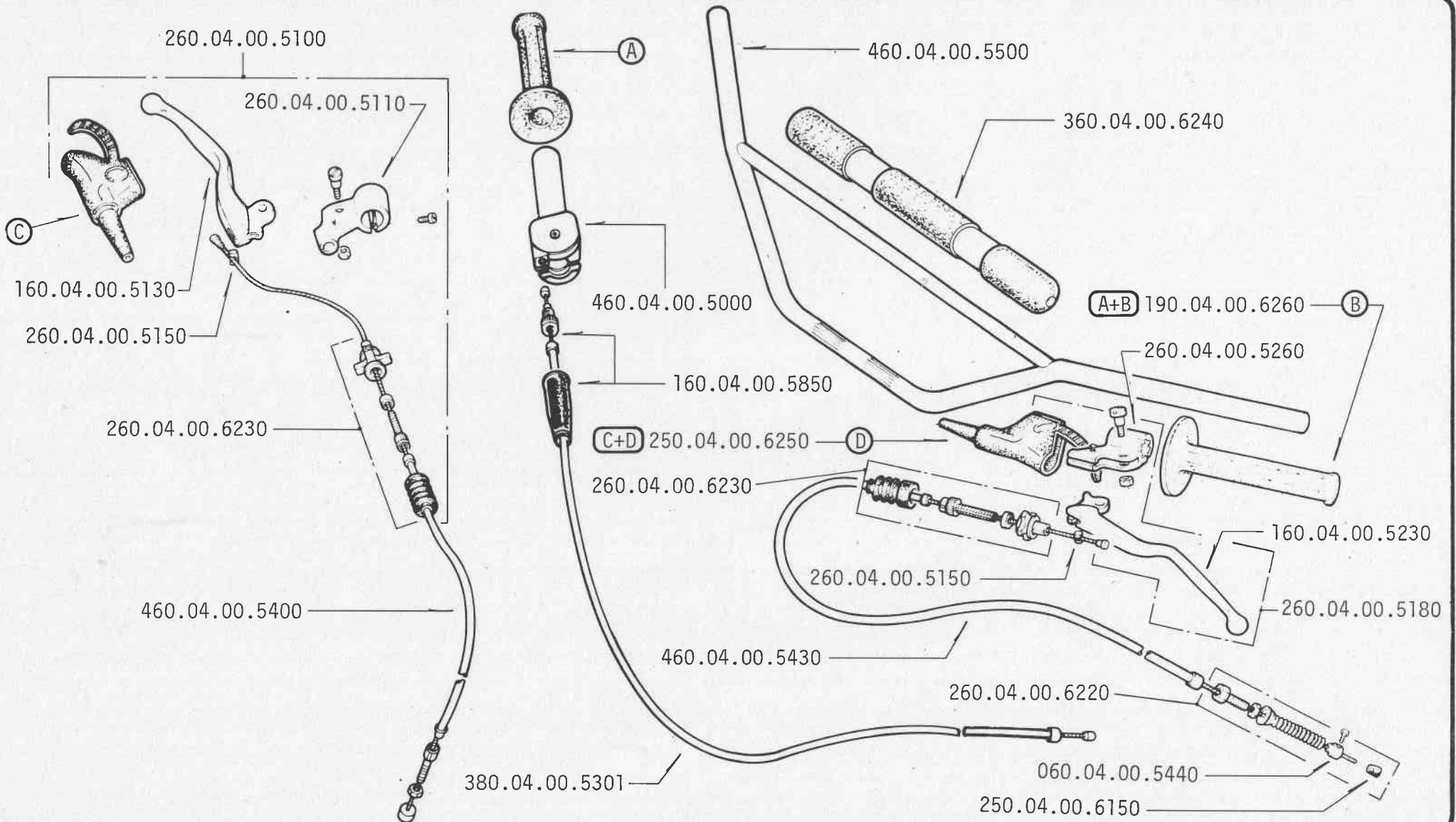
E1	E2	E3
 Exploded view diagram of motorcycle handlebar controls and cables. It shows a handlebar with various components: a clutch lever, a throttle grip, a throttle cable, a brake cable, and a shift cable. The diagram is a technical line drawing showing the assembly of these parts.		
E4	E5	E6
E7	E8	E9

E1CABALLERO 50cc ENDURO COMPETITION
CABALLERO 75cc ENDURO COMPETITION

6 - 1981

E

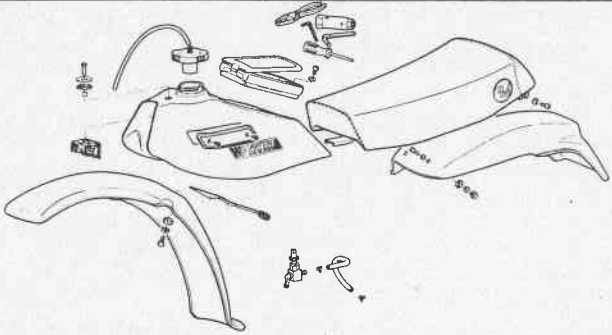
1/1

FANTIC
MOTOR

FCABALLERO 50cc ENDURO COMPETITION
CABALLERO 75cc ENDURO COMPETITION

6 - 1981

SERBATOIO-SELLA-PARAFANGHI
RESERVOIR-SELLE-GARDE-BOUE
FUEL TANK-SEAT-MUDGUARDS
KRAFTSTOFFBEHÄLTER-SATTEL-KOTFLUGEL**FANTIC
MOTOR**

F1	F2	F3
		
F4	F5	F6
F7	F8	F9

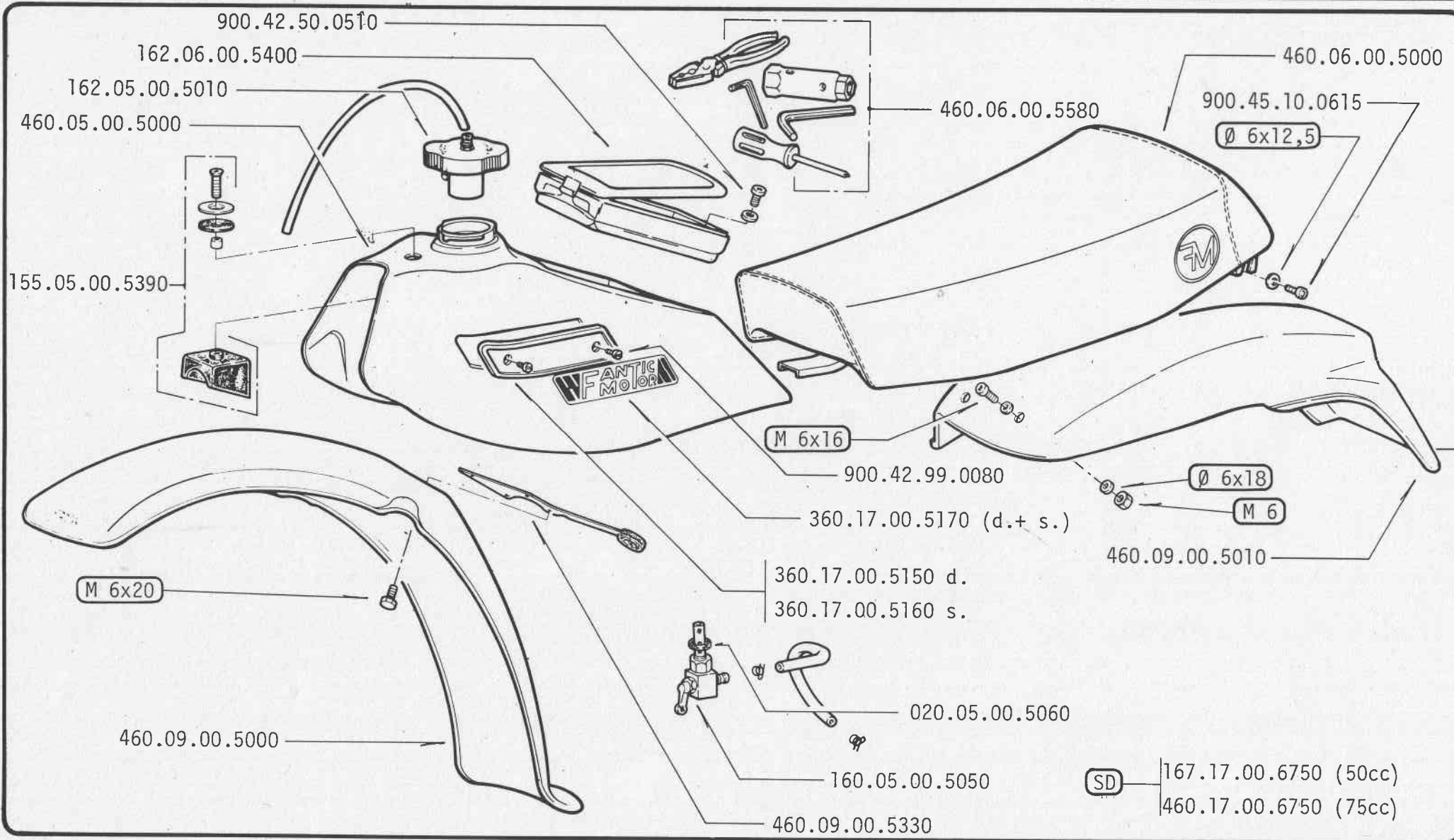
F1

CABALLERO 50cc ENDURO COMPETITION
 CABALLERO 75cc ENDURO COMPETITION

6 - 1981

F

1/1

FANTIC MOTOR

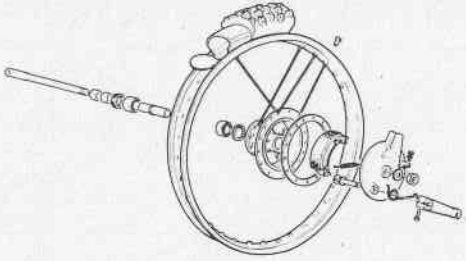
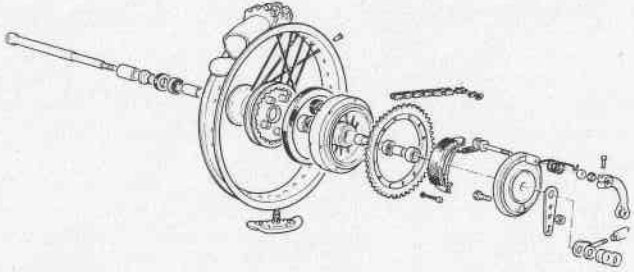
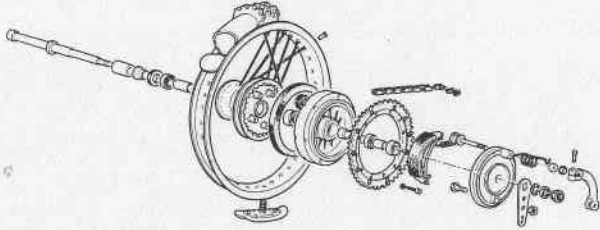
G

CABALLERO 50cc ENDURO COMPETITION
 CABALLERO 75cc ENDURO COMPETITION

6 - 1981

RUOTA ANTERIORE - RUOTA POSTERIORE
 ROUE AVANT - ROUE ARRIERE
 FRONT WHEEL - REAR WHEEL
 VORDERRAD - HINTERRAD

FANTIC
 MOTOR

<p>G1 CABALLERO 50 cc ENDURO COMPETITION CABALLERO 75 cc ENDURO COMPETITION</p> 	<p>G2 CABALLERO 50 cc ENDURO COMPETITION</p> 	<p>G3</p>
<p>G4</p>	<p>G5 CABALLERO 75 cc ENDURO COMPETITION</p> 	<p>G6</p>
<p>G7</p>	<p>G8</p>	<p>G9</p>

G1

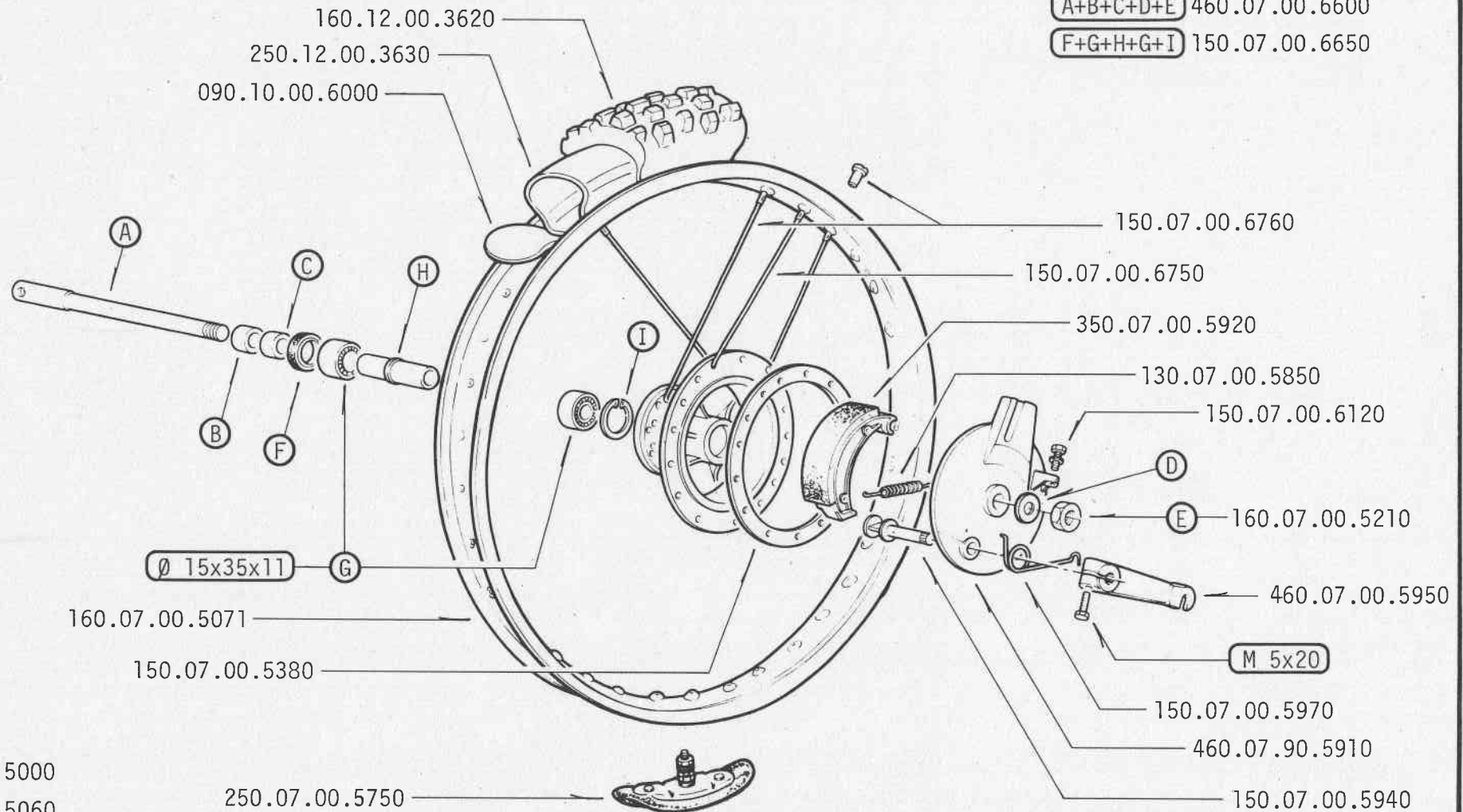
CABALLERO 50cc ENDURO COMPETITION
 CABALLERO 75cc ENDURO COMPETITION

6 - 1981

G

1/1

FANTIC MOTOR



A+B+C+D+E 460.07.00.6600

F+G+H+G+I 150.07.00.6650

- ▲ 460.07.00.5000
- 460.07.00.5060
- 460.07.00.5900

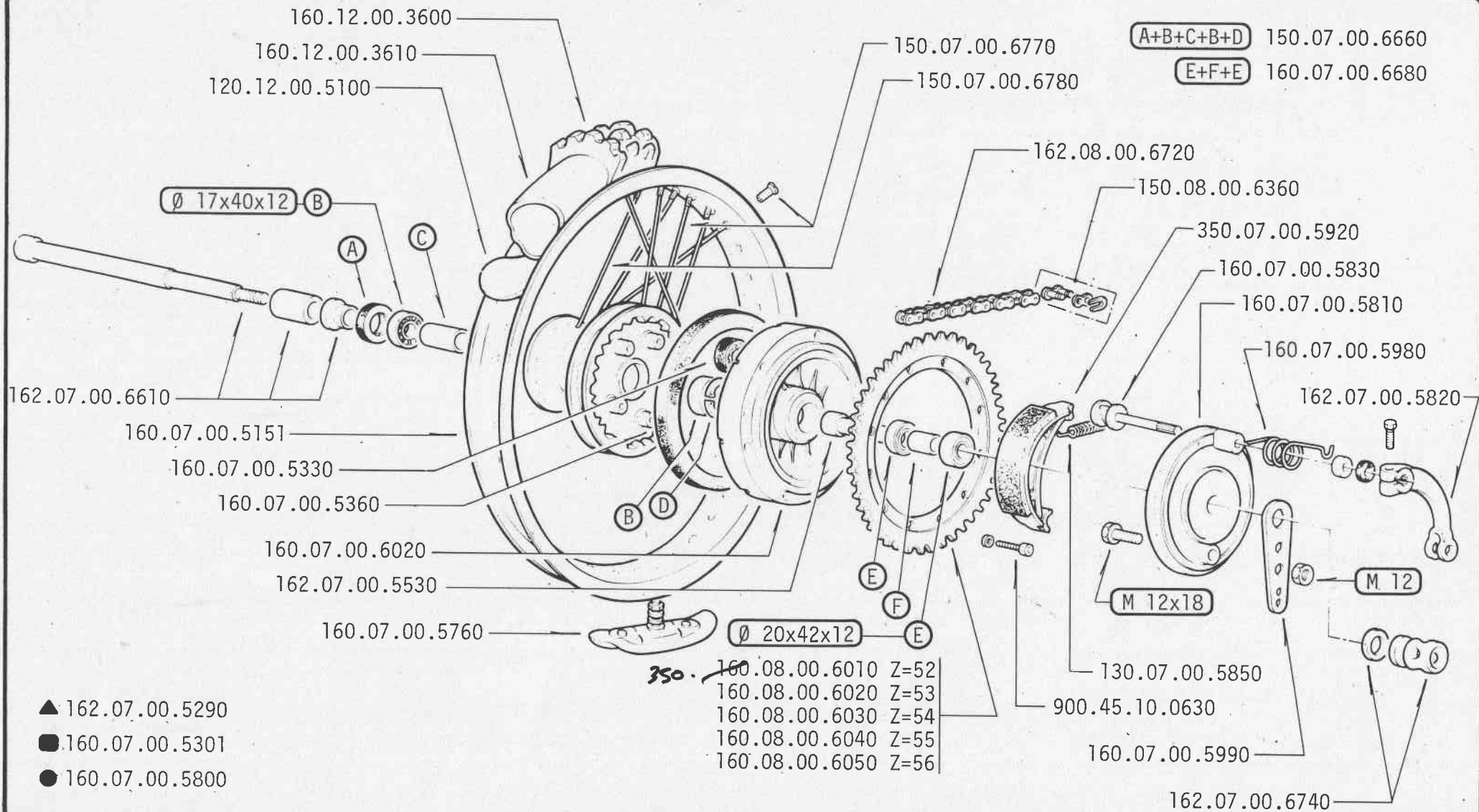
250.07.00.5750

▲ Ruota anteriore completa
 ■ Mozzo anteriore completo
 ● Disco portaceppi completo

▲ Roue avant complete
 ■ Moyeu avant complet
 ● Disque porte-machoirs complet

▲ Front wheel complete
 ■ Front hub complete
 ● Front brake plate complete

▲ Vorderrad Komplett
 ■ Vorderradnabe Komplett
 ● Bremsplatte Komplett



- ▲ 162.07.00.5290
- 160.07.00.5301
- 160.07.00.5800

▲ Ruota posteriore completa
■ Mozzo posteriore completo
● Disco portaceppi posteriore completo

▲ Roue arrière complète
■ Moyeu arrière complet
● Disque porte-machoières arrière complet

▲ Rear wheel complete
■ Rear hub complete
● Rear brake plate complete

▲ Hinterrad komplett
■ Hinterradnabe komplett
● Hinterradbremssplatte komplett

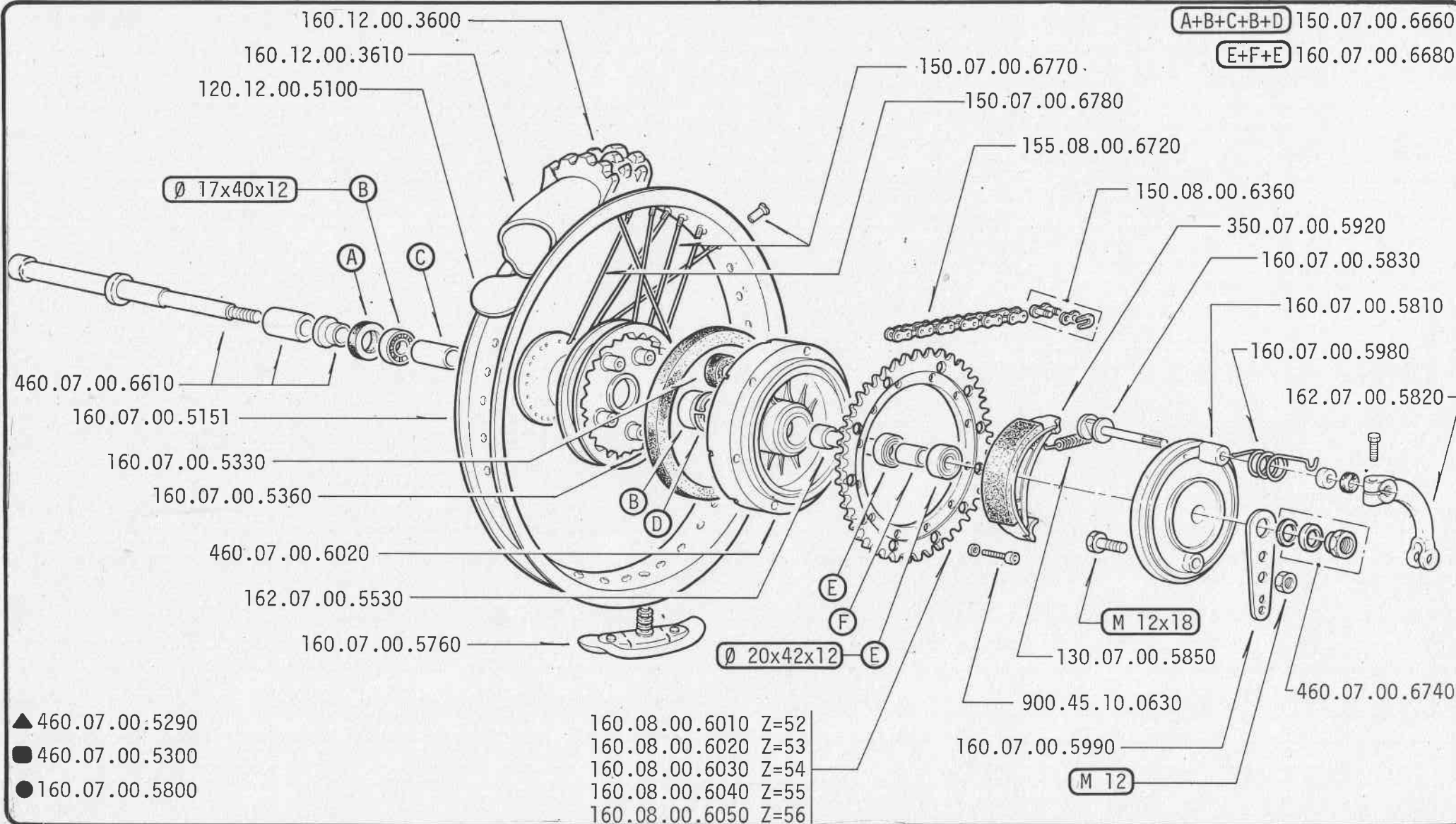
G5

CABALLERO 75cc ENDURO COMPETITION

6 - 1981

G

5/1

**FANTIC
MOTOR**

▲ Ruota posteriore completa
■ Mozzo posteriore completo
● Disco portaceppi posteriore

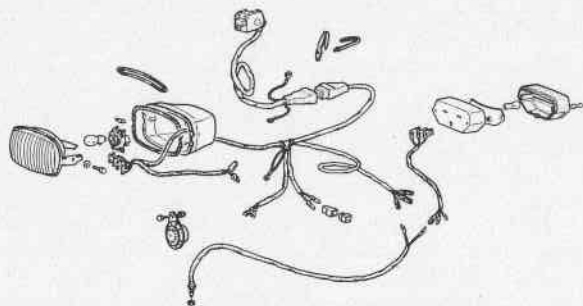
▲ Roue arrière complète
■ Moyeu arrière complet
● Disque porte-machoirs

▲ Rear wheel complete
■ Rear hub complete
● Rear brake plate

▲ Hinterrad komplett
■ Hinterradnabe komplett
● Hinterradbremssplatte

HCABALLERO 50cc ENDURO COMPETITION
CABALLERO 75cc ENDURO COMPETITION

6 - 1981

FARO ANTERIORE-FANALINO POSTERIORE-CABLAGGIO ELETTRICO
PHARE AVANT-FEU ROUGE-CABLAGE ELECTRIQUE
HEAD LIGHT-TAIL LIGHT-WIRING HARNESS
VORDERER SCHEINWERFER-SCHLUSSLICHT-ELEKTRISCHE VERKABELUNG**FANTIC
MOTOR****H1****H2****H3****H4****H5****H6****H7****H8****H9**

H1

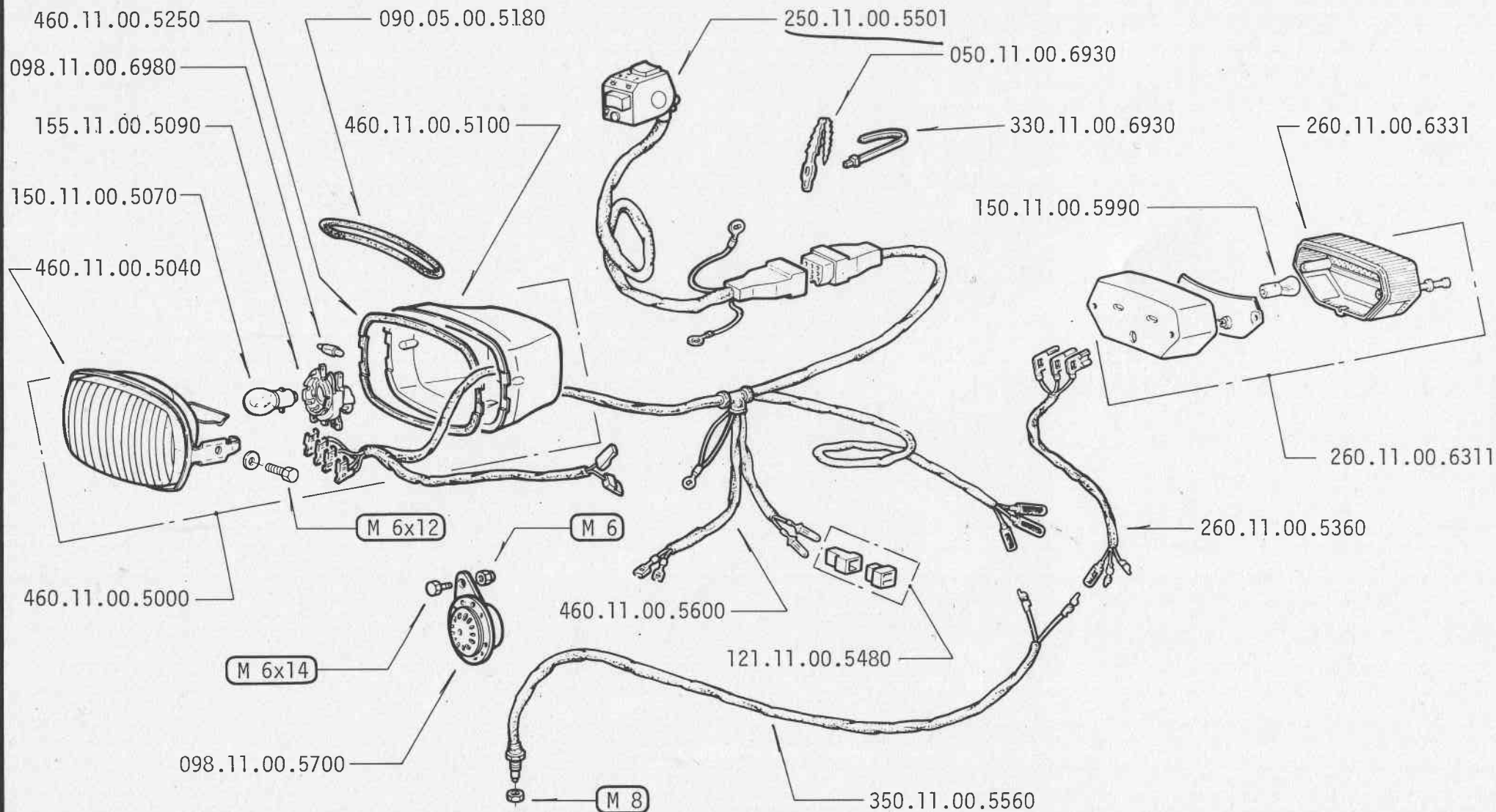
CABALLERO 50cc ENDURO COMPETITION
CABALLERO 75cc ENDURO COMPETITION

6 - 1981

H

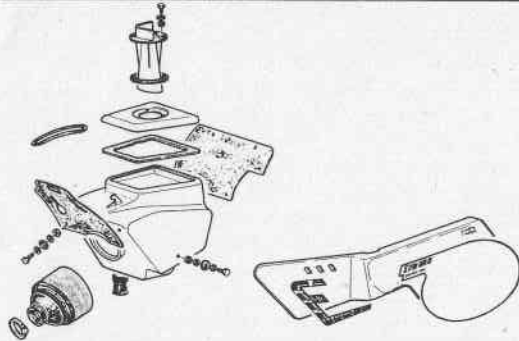
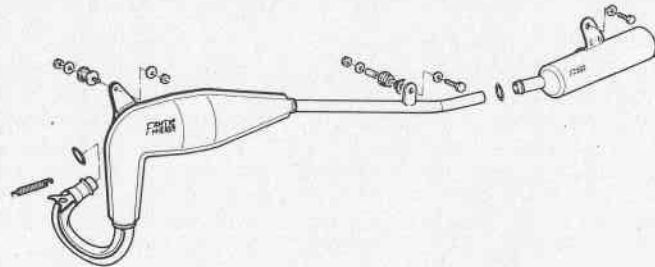
1/1

FANTIC MOTOR



LCABALLERO 50cc ENDURO COMPETITION
CABALLERO 75cc ENDURO COMPETITION

6 - 1981

GRUPPO ASPIRAZIONE-CAMERA D'ESPANSIONE-SILENZIATORE
GROUPE ASPIRATION-POT D'ECHAPPEMENT-SILENCIEUX
GROUPE INTAKE-SILENCER-TERMINAL SILENCER
ANSAUGBAUGRUPPE-AUSPUFF-AUSPUFFSCHALLDÄMPFER**FANTIC
MOTOR****L1****L2****L3****L4****L5****L6****L7****L8****L9**

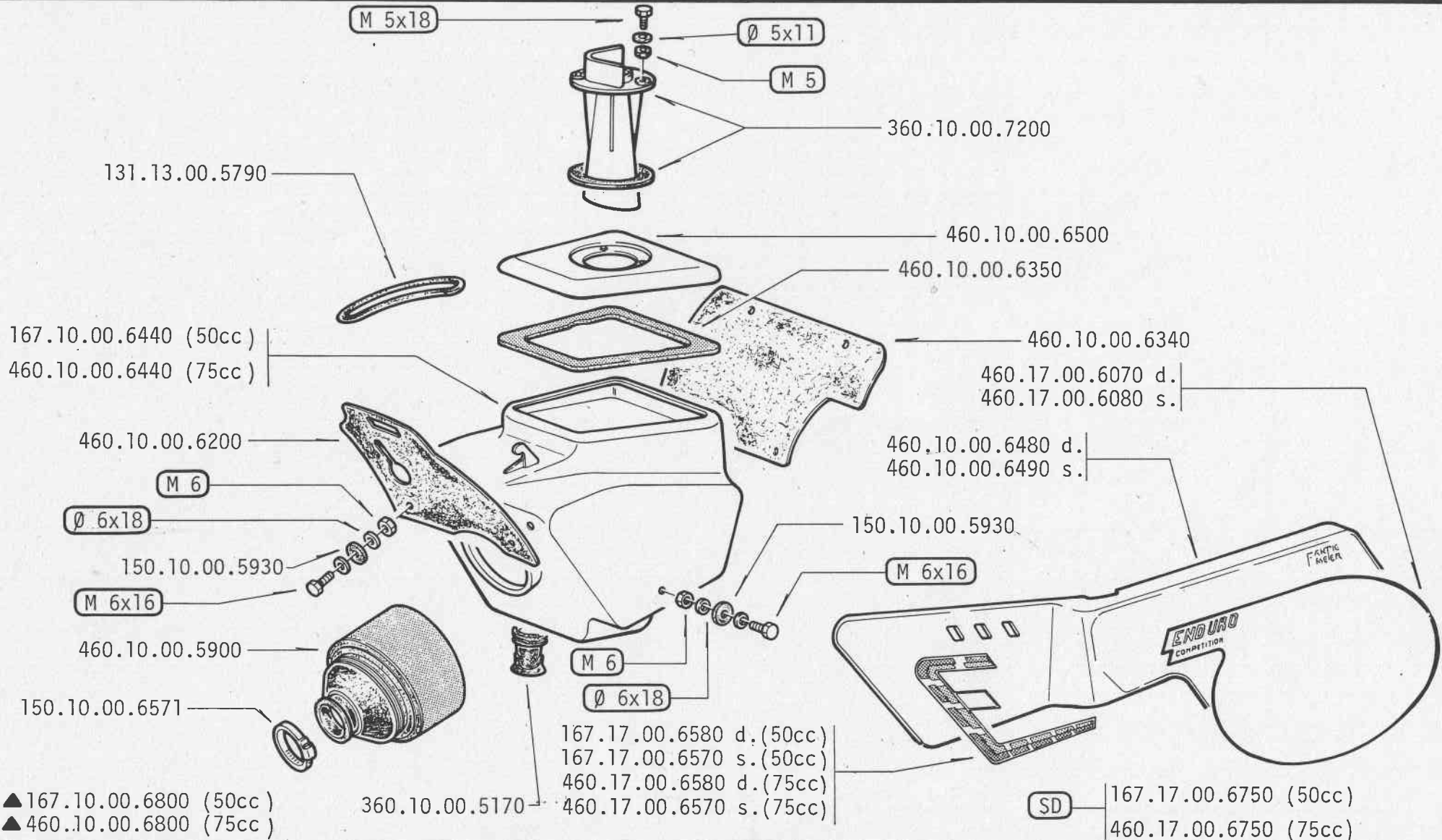
L1

CABALLERO 50cc ENDURO COMPETITION
 CABALLERO 75cc ENDURO COMPETITION

6 - 1981

L

1/1

**FANTIC
MOTOR**

▲ Gruppo di aspirazione completo ▲ Groupe aspiration complet ▲ Group intake assembly ▲ Ansaugbaugruppe Komplet

L2

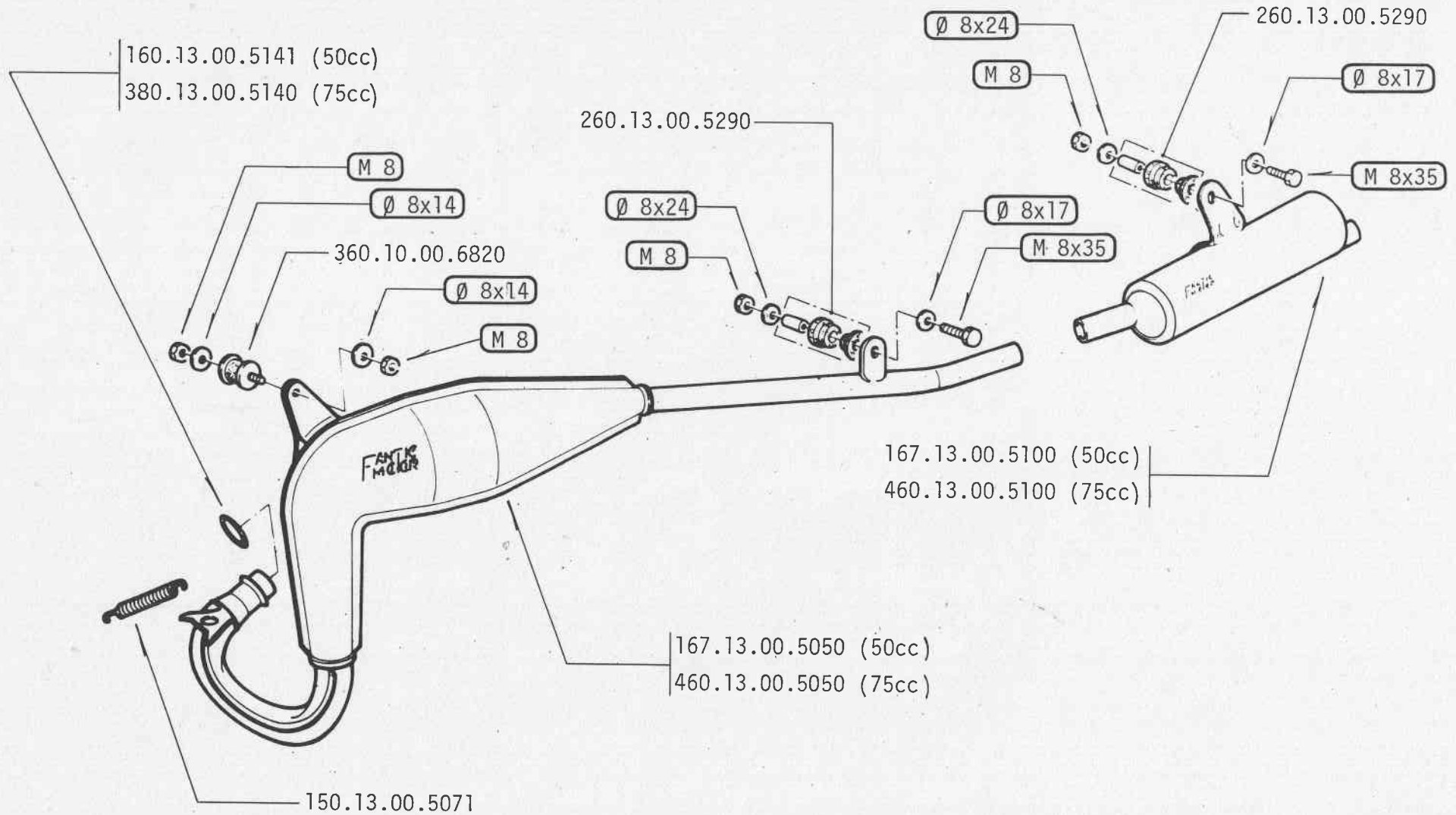
CABALLERO 50cc ENDURO COMPETITION
CABALLERO 75cc ENDURO COMPETITION

6 - 1981

L

2/1

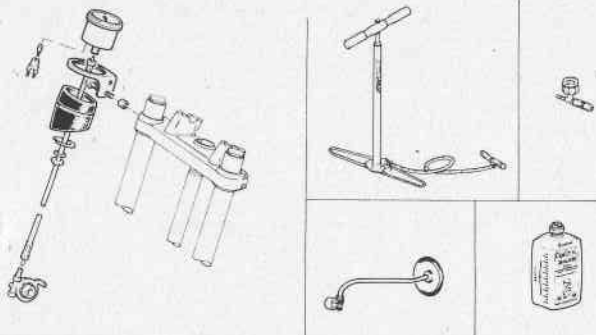
FANTIC MOTOR



MCABALLERO 50cc ENDURO COMPETITION
CABALLERO 75cc ENDURO COMPETITION

6 - 1981

CONTACHILOMETRI - SPECCHIETTO RETROVISORE - ACCESSORI
COMPTEUR - RETROVISEUR - ACCESSOIRES
SPEEDOMETER - REAR VIEW MIRROR - ACCESSORIES
TACHOMETER - RUCKSPIEGEL - ZUBEHÖRE**FANTIC
MOTOR**

M1	M2	M3
		
M4	M5	M6
M7	M8	M9

M1

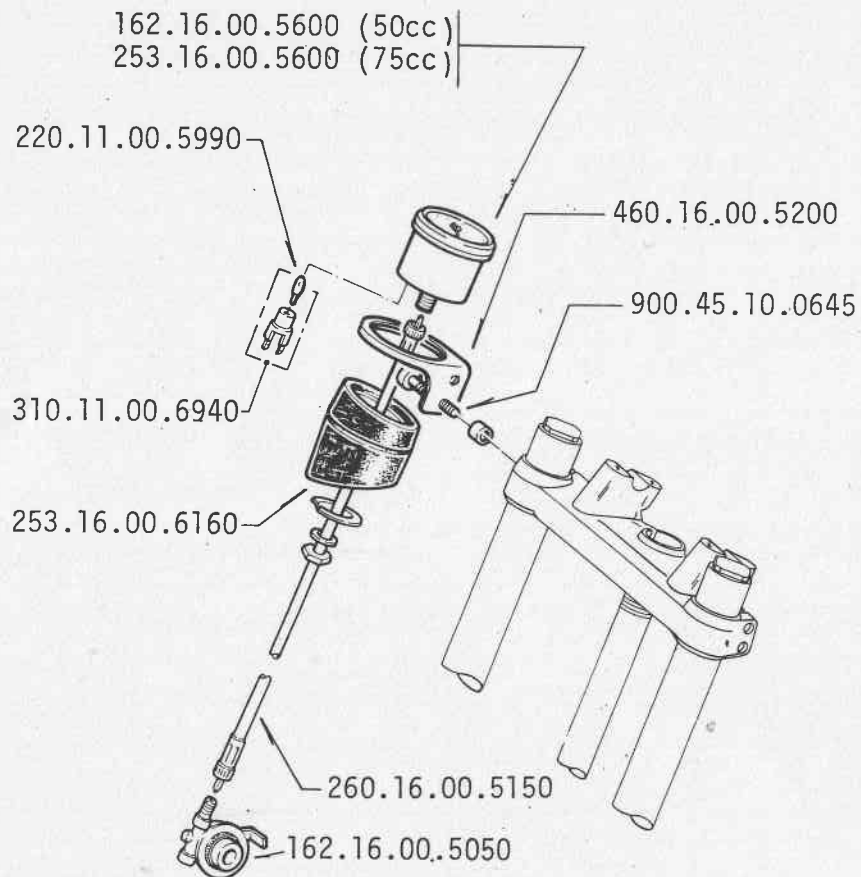
CABALLERO 50cc ENDURO COMPETITION
CABALLERO 75cc ENDURO COMPETITION

6 - 1981

M

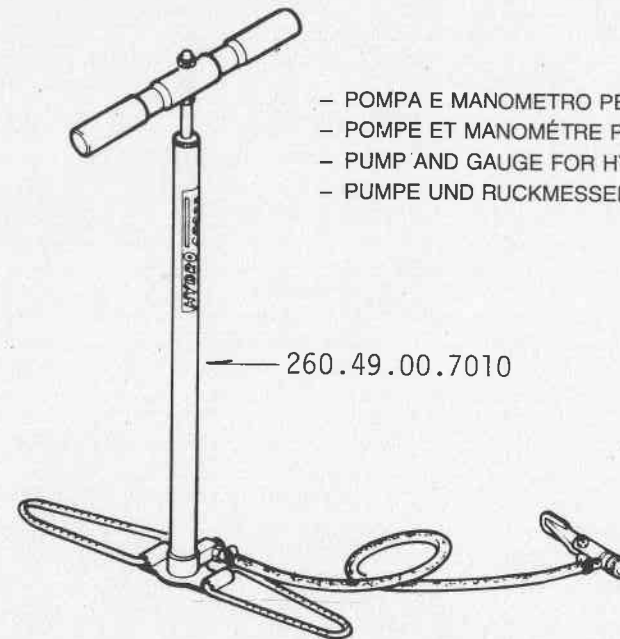
1/1

FANTIC MOTOR

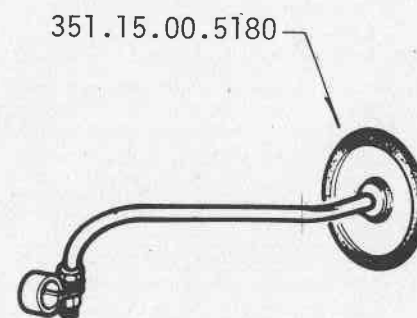
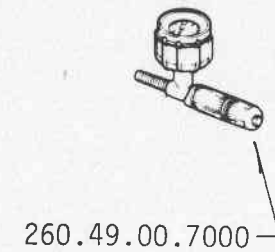


▲ 167.16.00.6600 (50cc)

▲ 460.16.00.6600 (75cc)



- POMPA E MANOMETRO PER AMMORTIZZATORI HYDROCROSS
- POMPE ET MANOMÈTRE POUR AMORTISSEURS HYDROCROSS
- PUMP AND GAUGE FOR HYDROCROSS SHOCK ABSORBERS
- PUMPE UND RUCKMESSER FÜR HYDROCROSS-STOSSDÄMPFER



260.55.00.6030

▲ Gruppo contachilometri completo ▲ Ensemble compteur complet ▲ Speedometer group complete ▲ Tachometerbaugruppe Komplet

N

CABALLERO 50cc ENDURO COMPETITION
 CABALLERO 75cc ENDURO COMPETITION

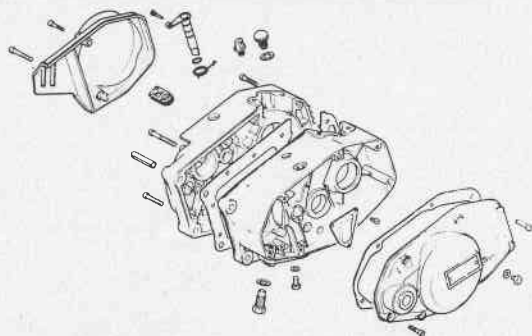
6 - 1981

MOTORE
 MOTEUR
 ENGINE
 MOTOR

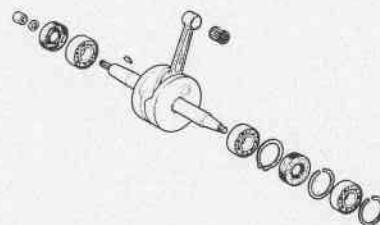
FANTIC
 MOTOR

N1

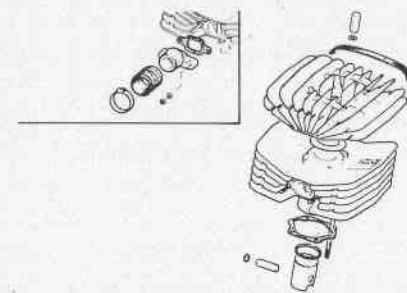
CABALLERO 50cc ENDURO COMPETITION
 CABALLERO 75cc ENDURO COMPETITION

**N2**

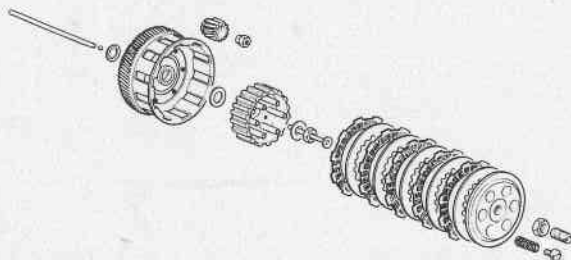
CABALLERO 50cc ENDURO COMPETITION

**N3**

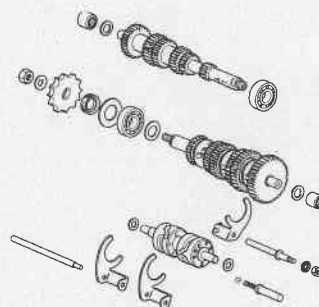
CABALLERO 50cc ENDURO COMPETITION

**N4**

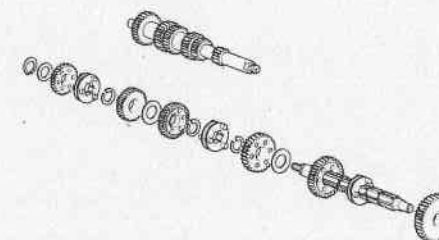
CABALLERO 50cc ENDURO COMPETITION

**N5**

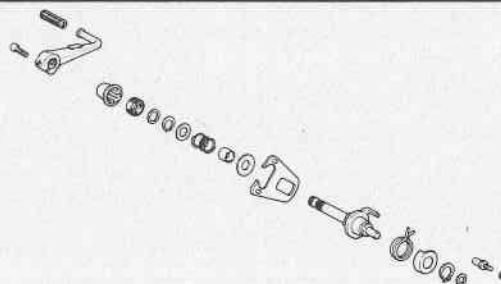
CABALLERO 50cc ENDURO COMPETITION

**N6**

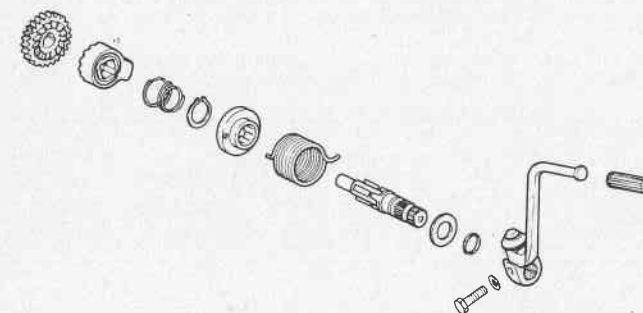
CABALLERO 50cc ENDURO COMPETITION

**N7****N8**

CABALLERO 50cc ENDURO COMPETITION
 CABALLERO 75cc ENDURO COMPETITION

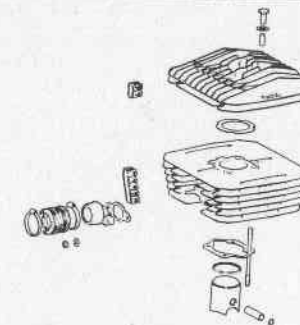
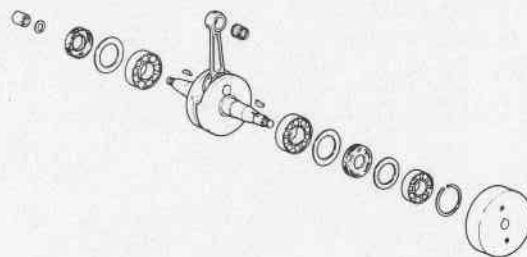
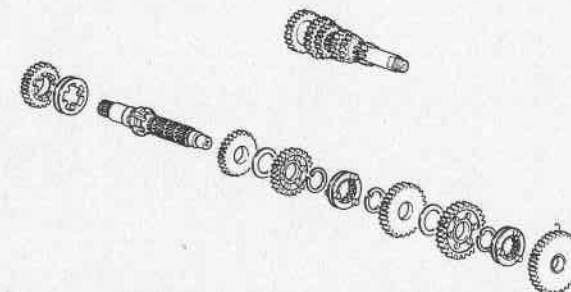
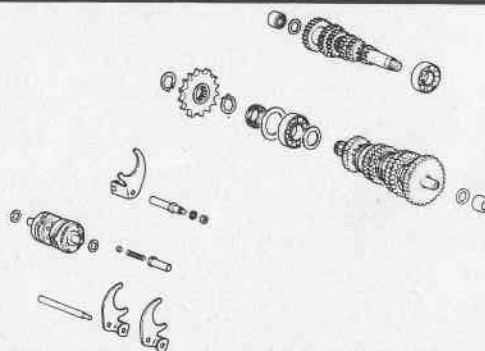
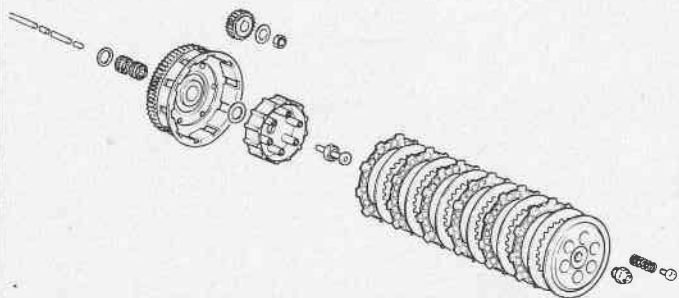
**N9**

CABALLERO 50cc ENDURO COMPETITION
 CABALLERO 75cc ENDURO COMPETITION



NCABALLERO 50cc ENDURO COMPETITION
CABALLERO 75cc ENDURO COMPETITION

6 - 1981

MOTORE
MOTEUR
ENGINE
MOTOR**FANTIC
FMOTOR****N10****N11** CABALLERO 75cc ENDURO COMPETITION**N12** CABALLERO 75 cc ENDURO COMPETITION**N13** CABALLERO 75 cc ENDURO COMPETITION**N14** CABALLERO 75 cc ENDURO COMPETITION**N15** CABALLERO 75 cc ENDURO COMPETITION**N16****N17****N18**

N₁

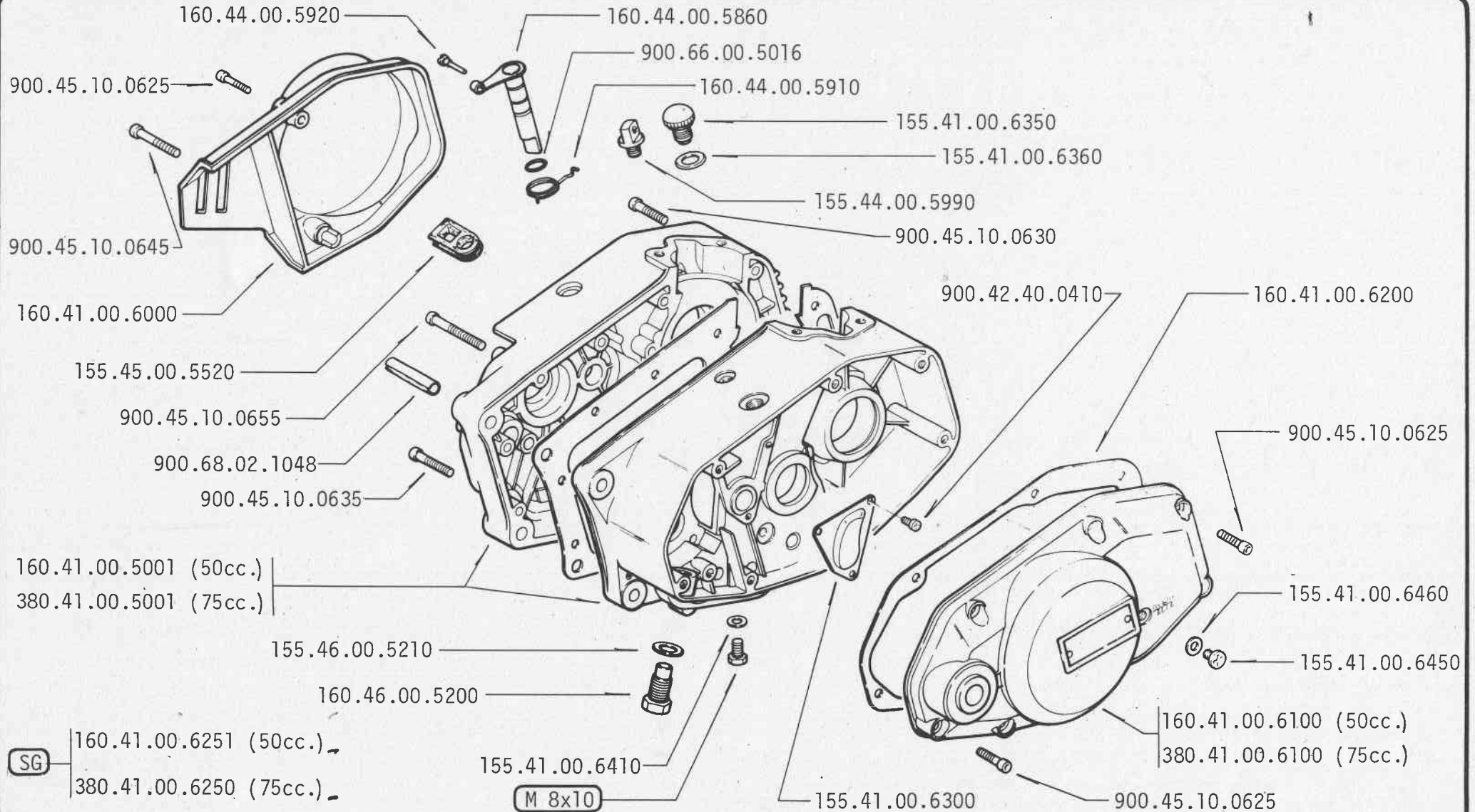
CABALLERO 50cc ENDURO COMPETITION
CABALLERO 75cc ENDURO COMPETITION

6 - 1981

N

1/1

FANTIC MOTOR



N2

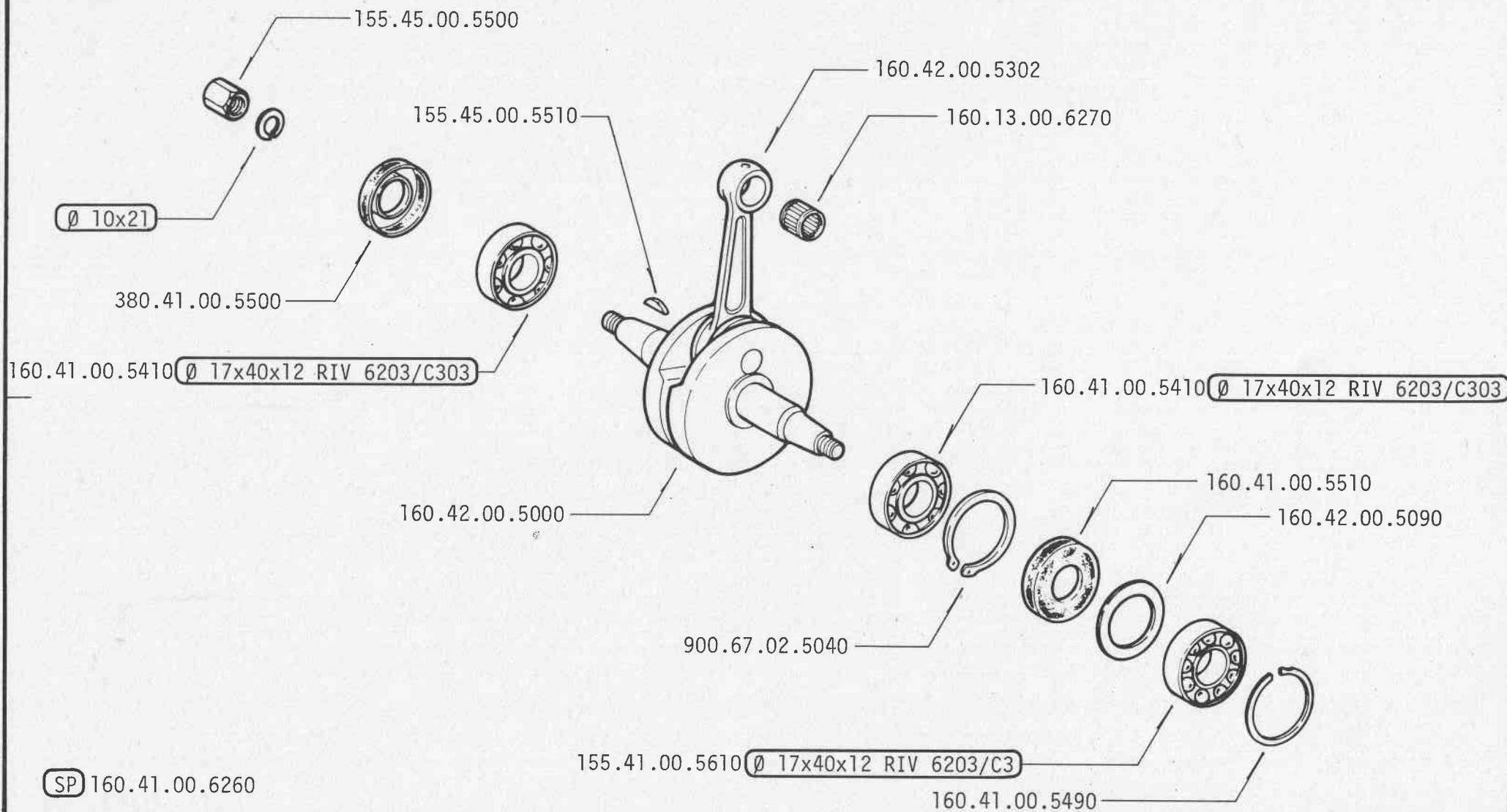
CABALLERO 50cc ENDURO COMPETITION

6 - 1981

N

2/1

FANTIC MOTOR



N3

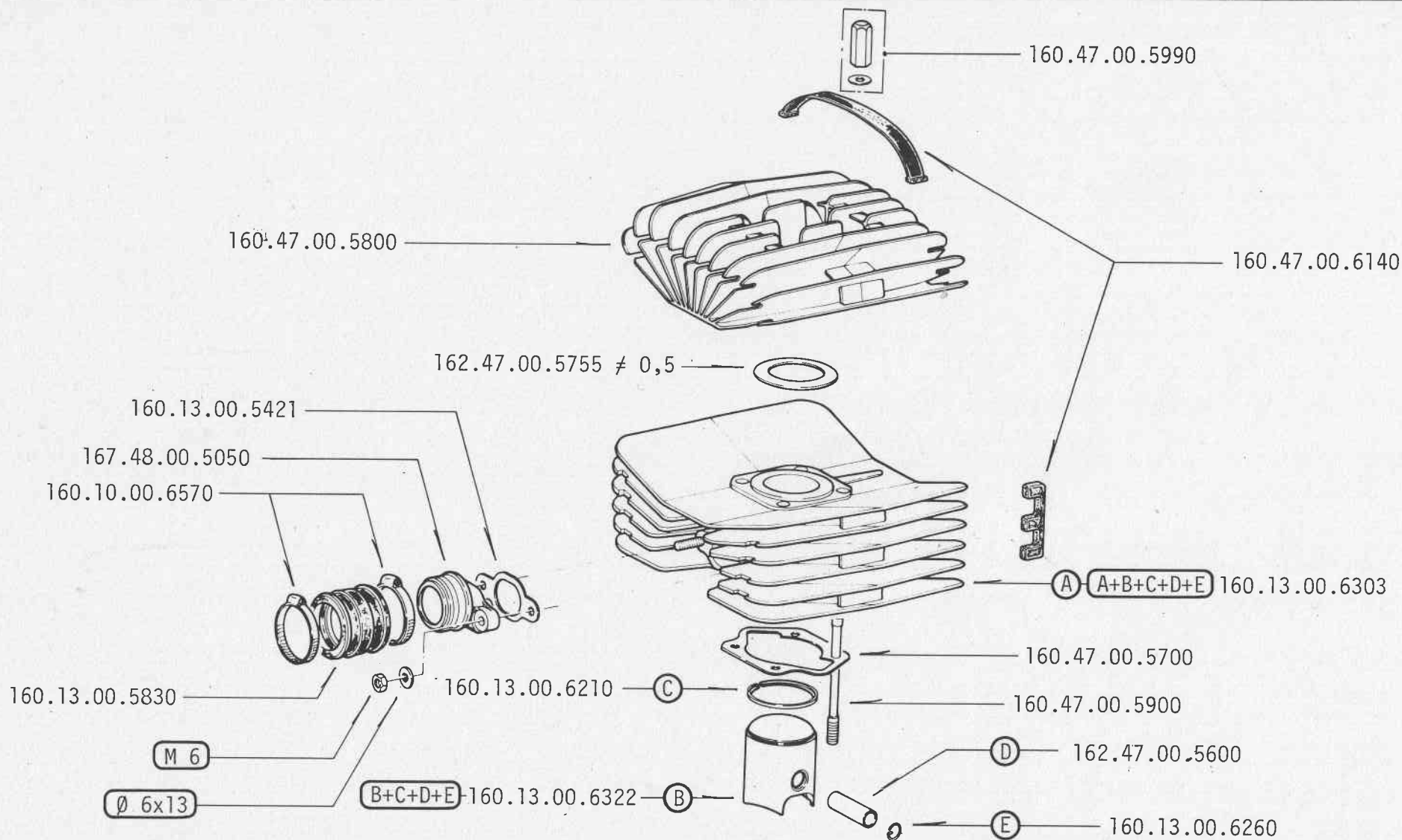
CABALLERO 50cc ENDURO COMPETITION

6 - 1981

N

3/1

FANTIC MOTOR



N4

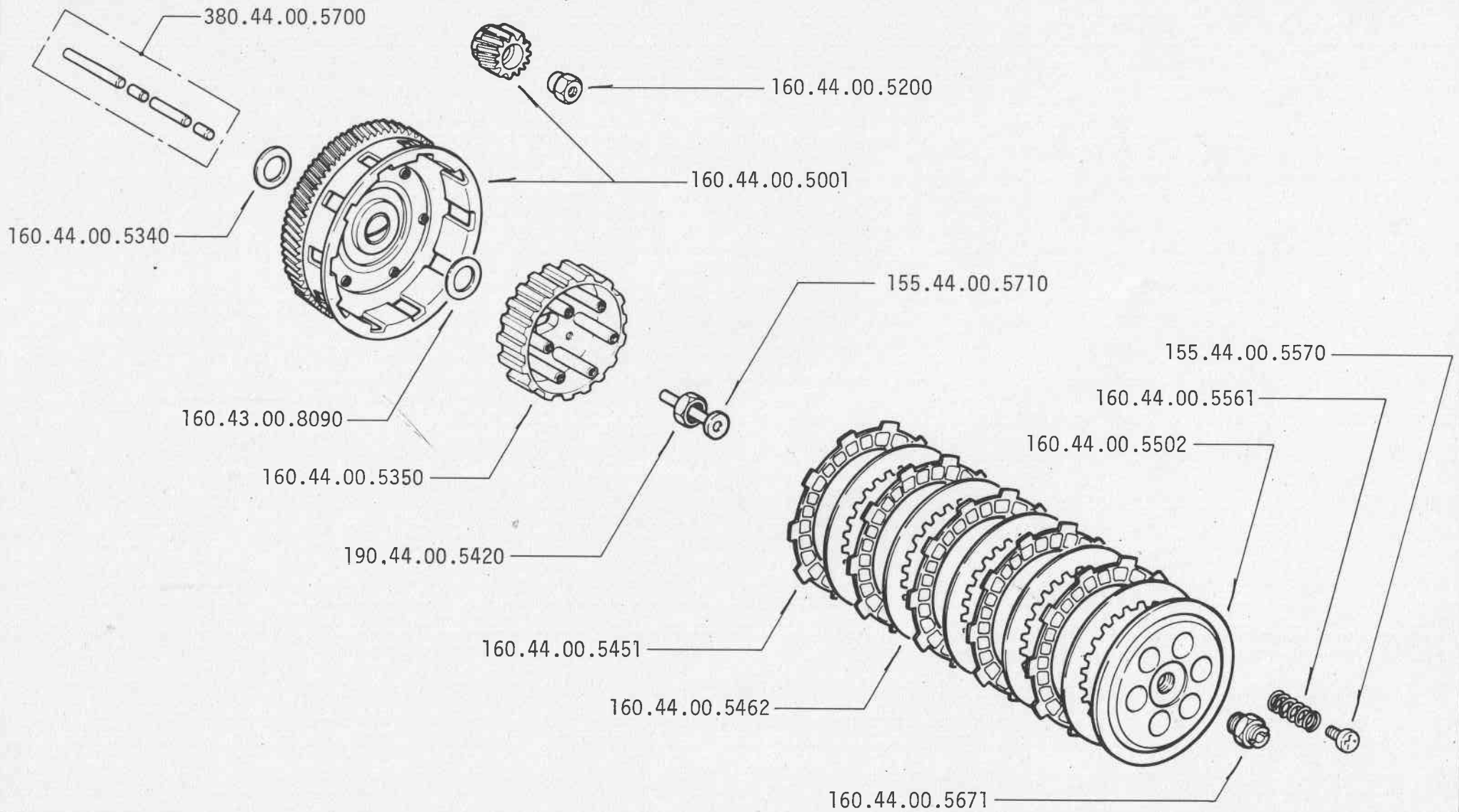
CABALLERO 50cc ENDURO COMPETITION

6 - 1981

N

4/1

FANTIC MOTOR



N5

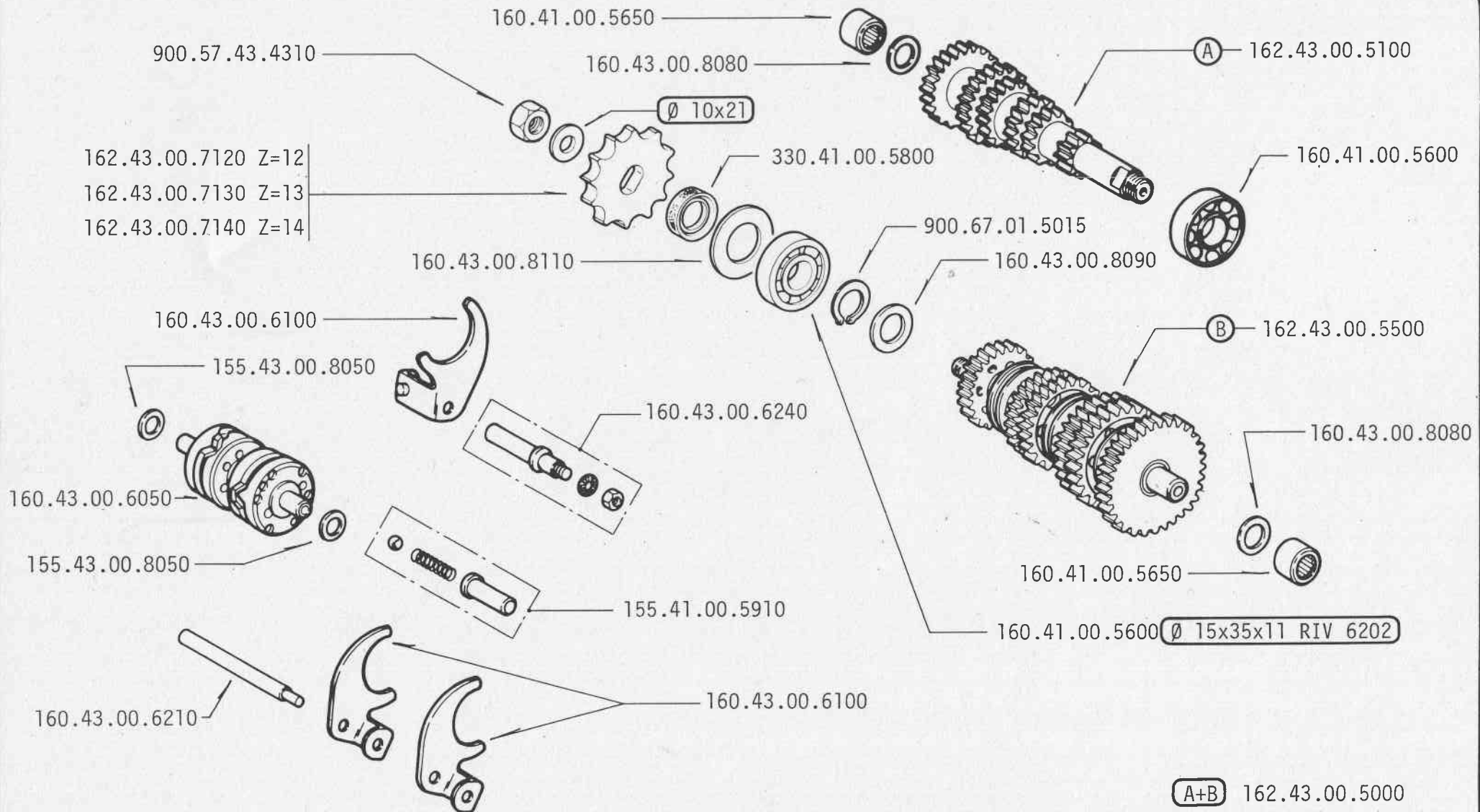
CABALLERO 50cc ENDURO COMPETITION

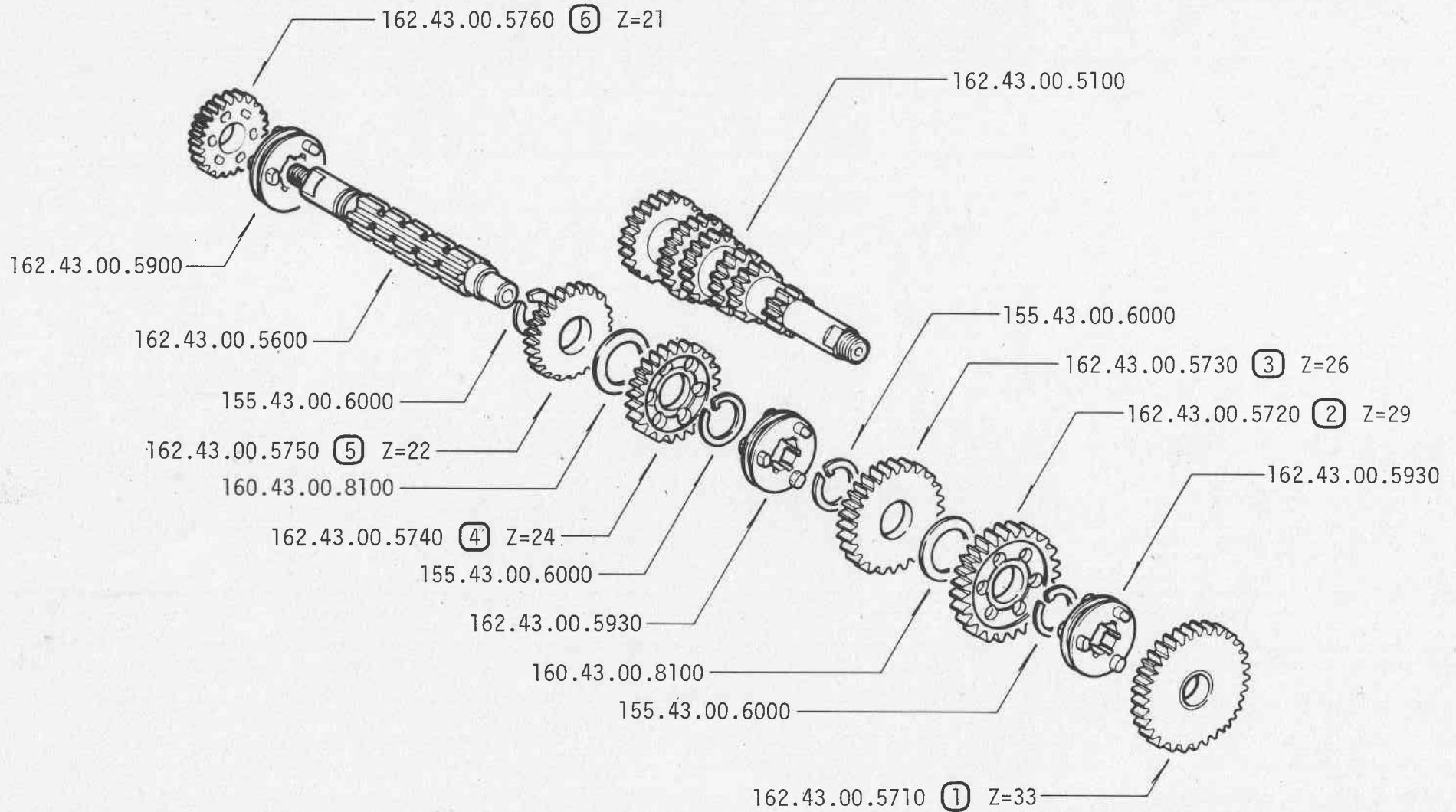
6 - 1981

N

5/1

FANTIC MOTOR





N8

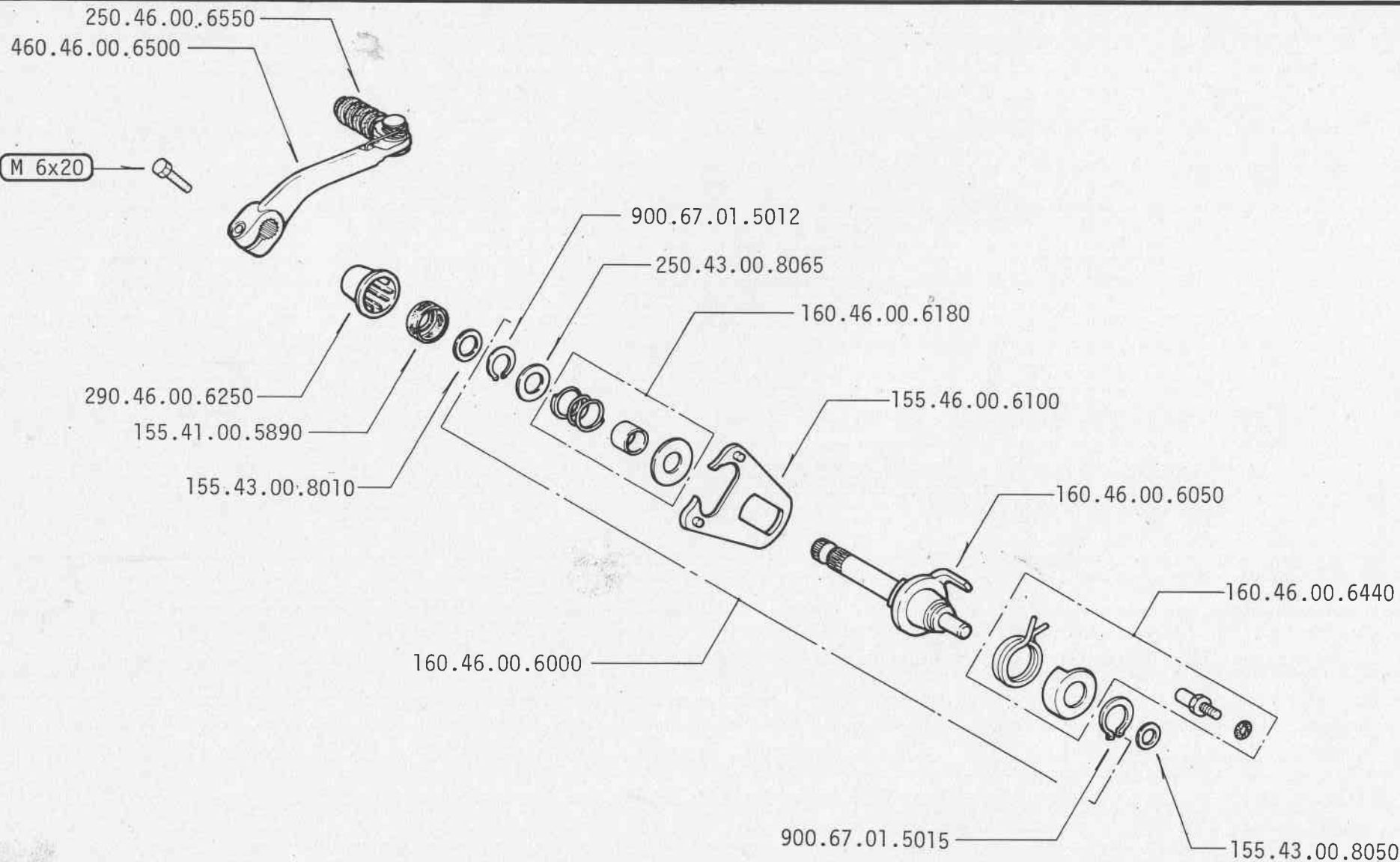
CABALLERO 50cc ENDURO COMPETITION
CABALLERO 75cc ENDURO COMPETITION

6 - 1981

N

8/1

FANTIC MOTOR



N9

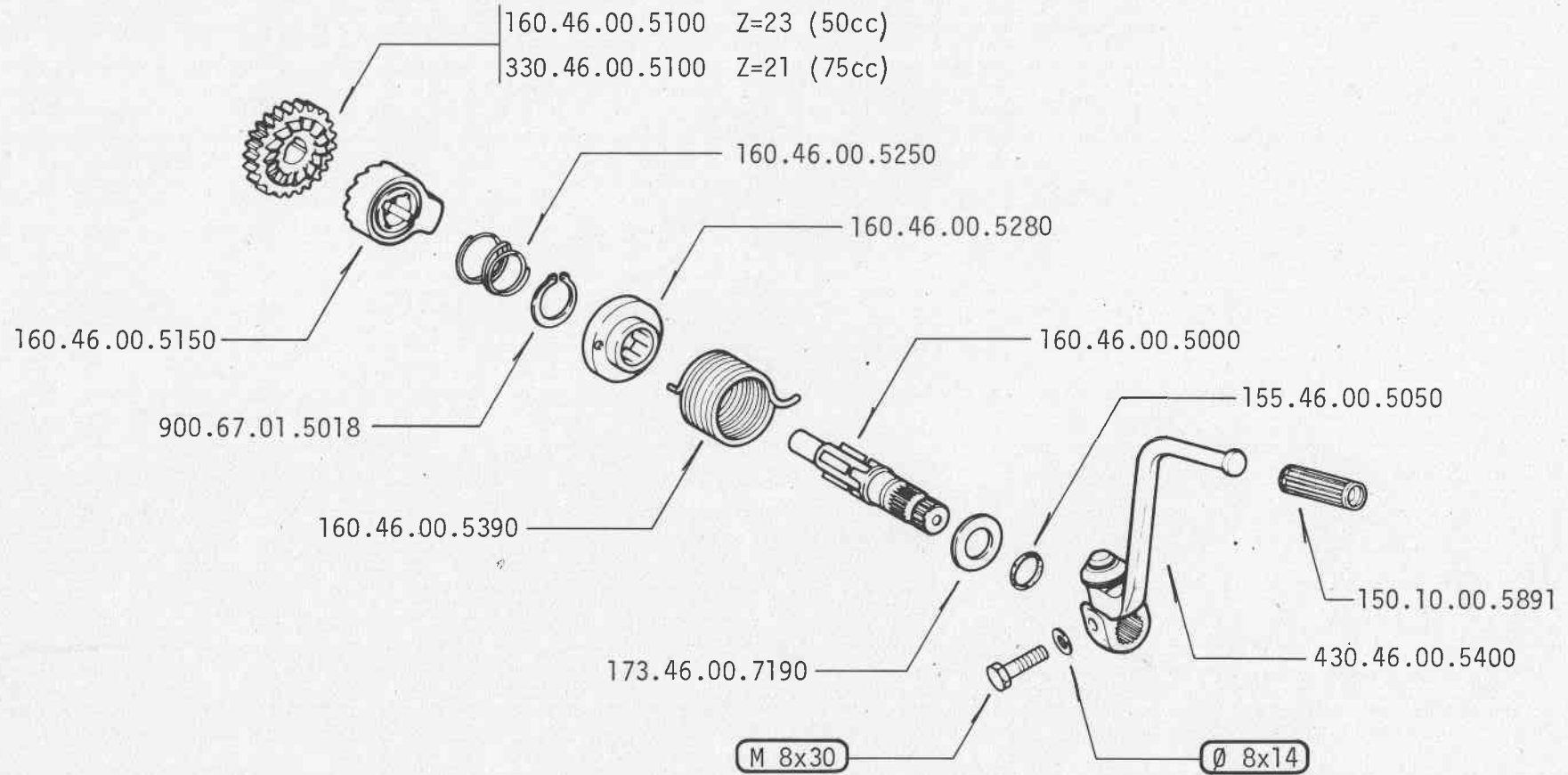
CABALLERO 50cc ENDURO COMPETITION
CABALLERO 75cc ENDURO COMPETITION

6 - 1981

N

9/1

FANTIC MOTOR



N11

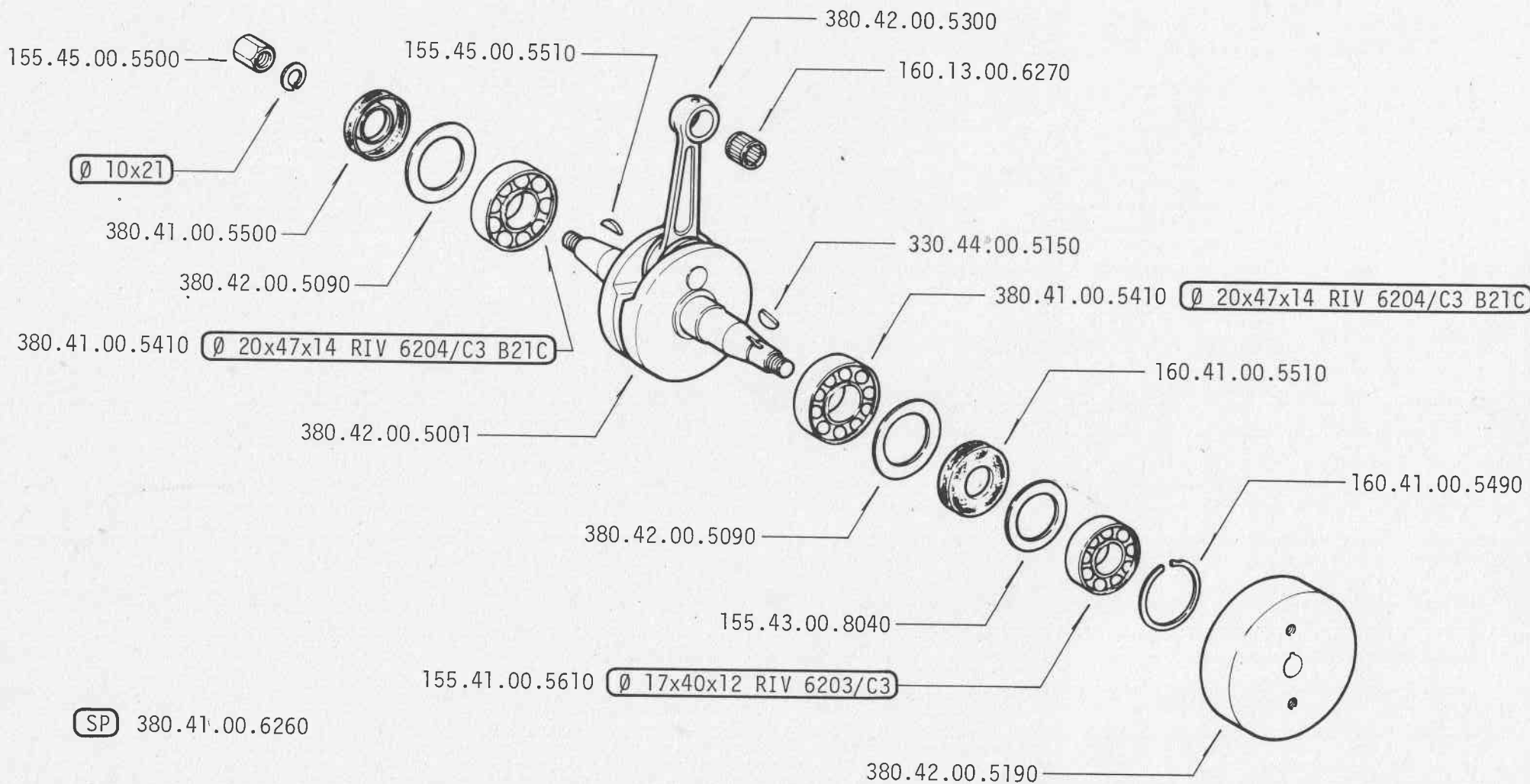
CABALLERO 75cc ENDURO COMPETITION

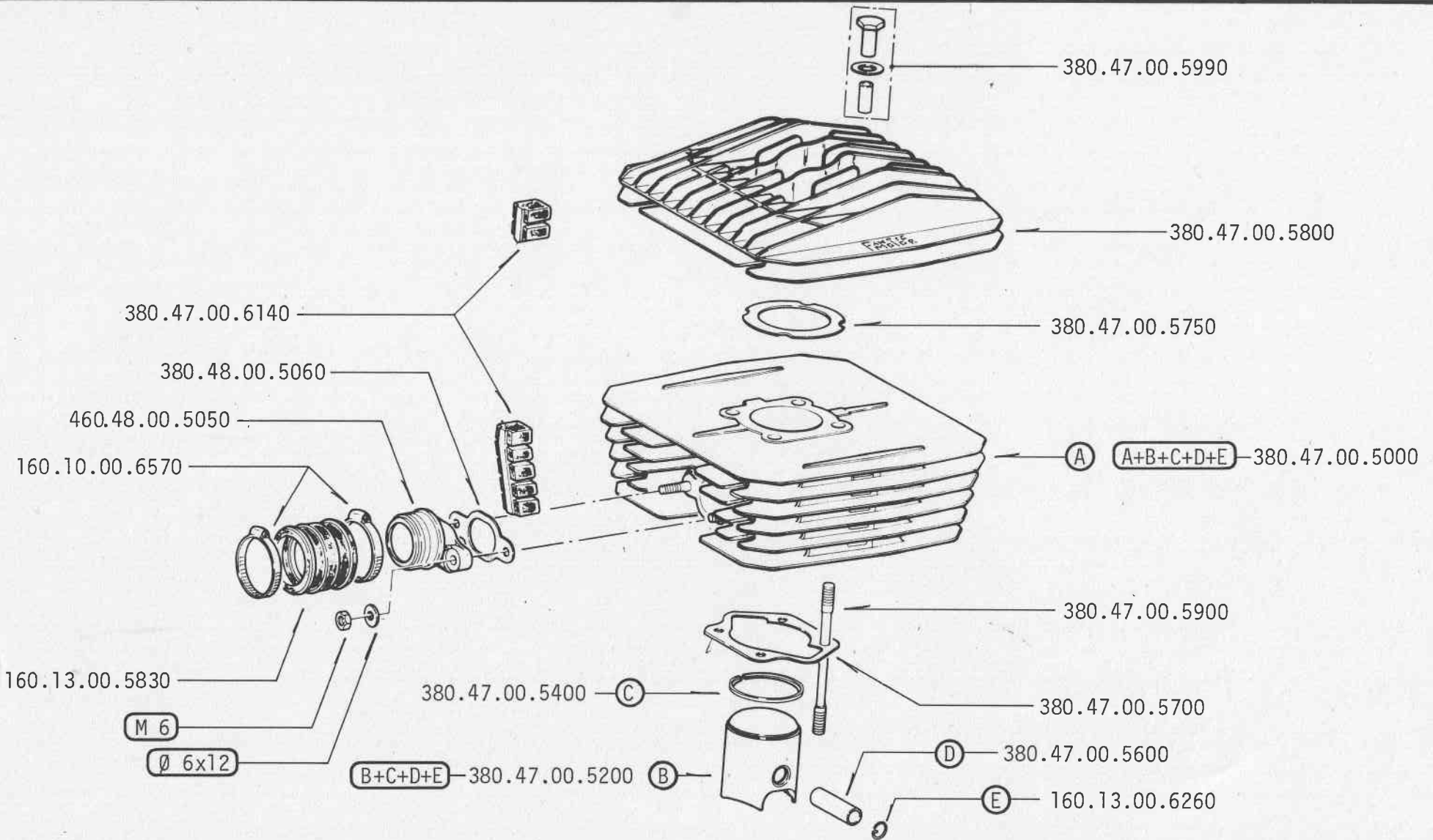
6 - 1981

N

1/11

FANTIC MOTOR





N13

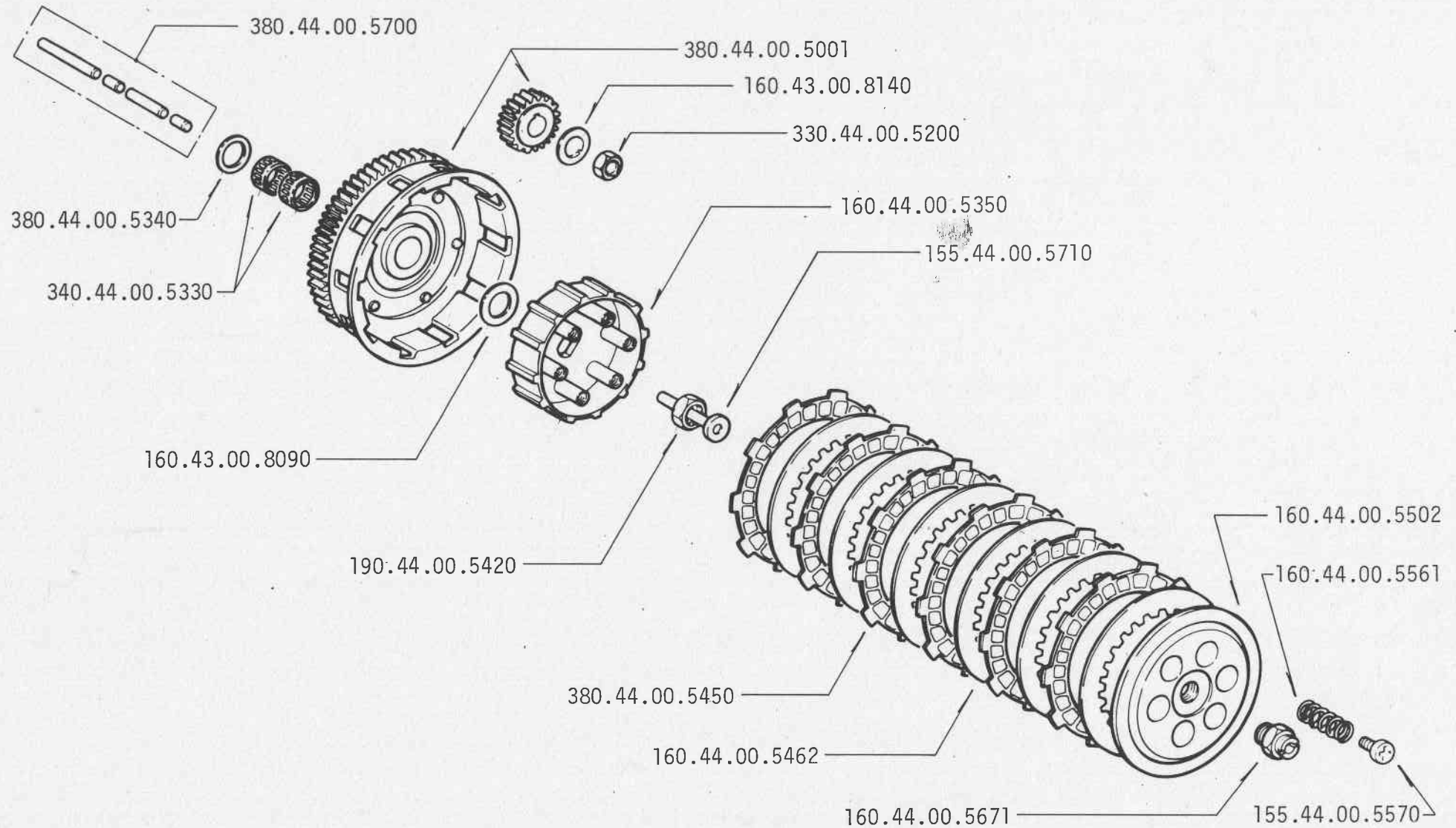
CABALLERO 75cc ENDURO COMPETITION

6 - 1981

N

13/1

FANTIC MOTOR



N14

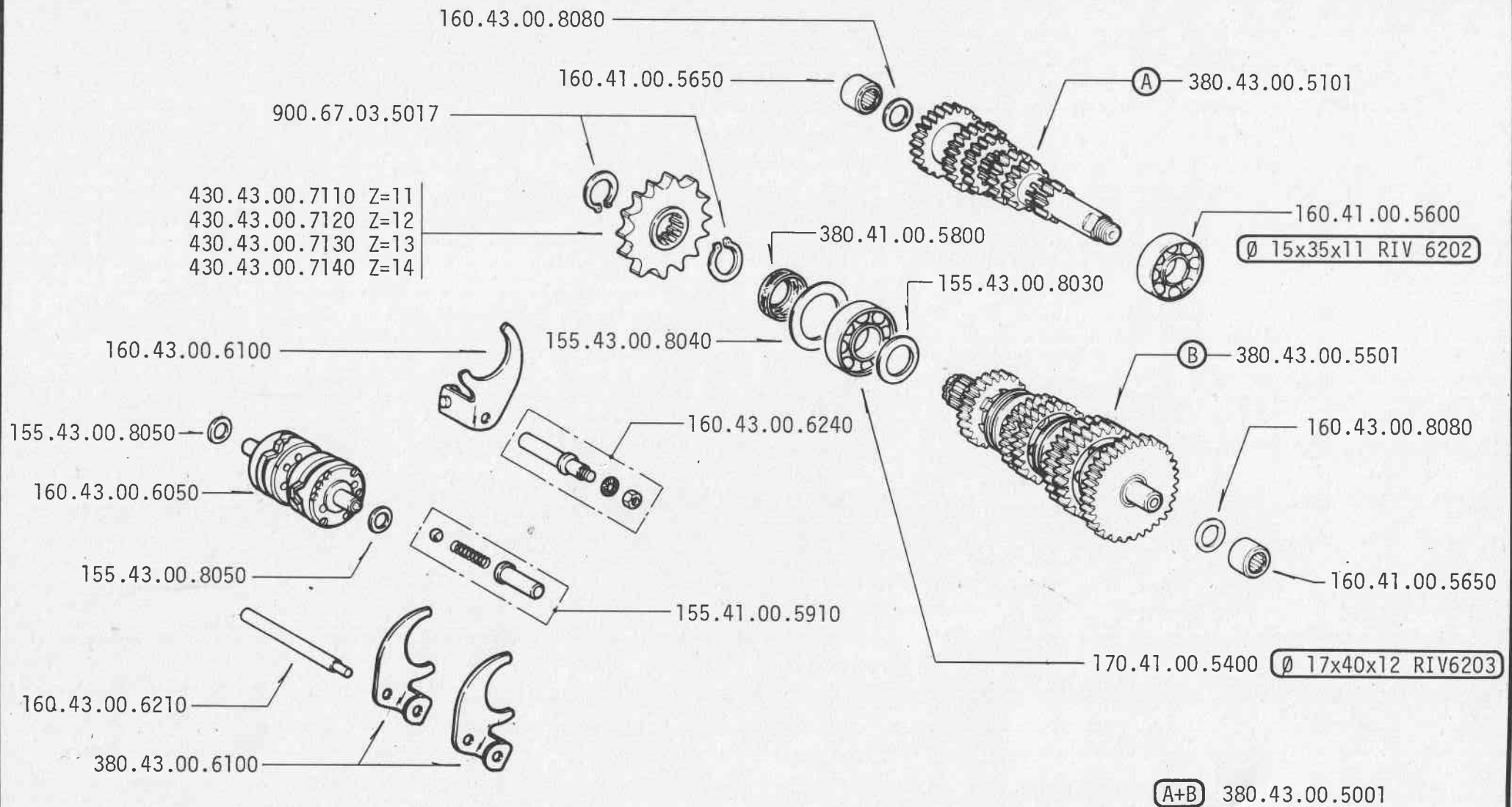
CABALLERO 75cc ENDURO COMPETITION

6 - 1981

N

14/1

FANTIC MOTOR



N15

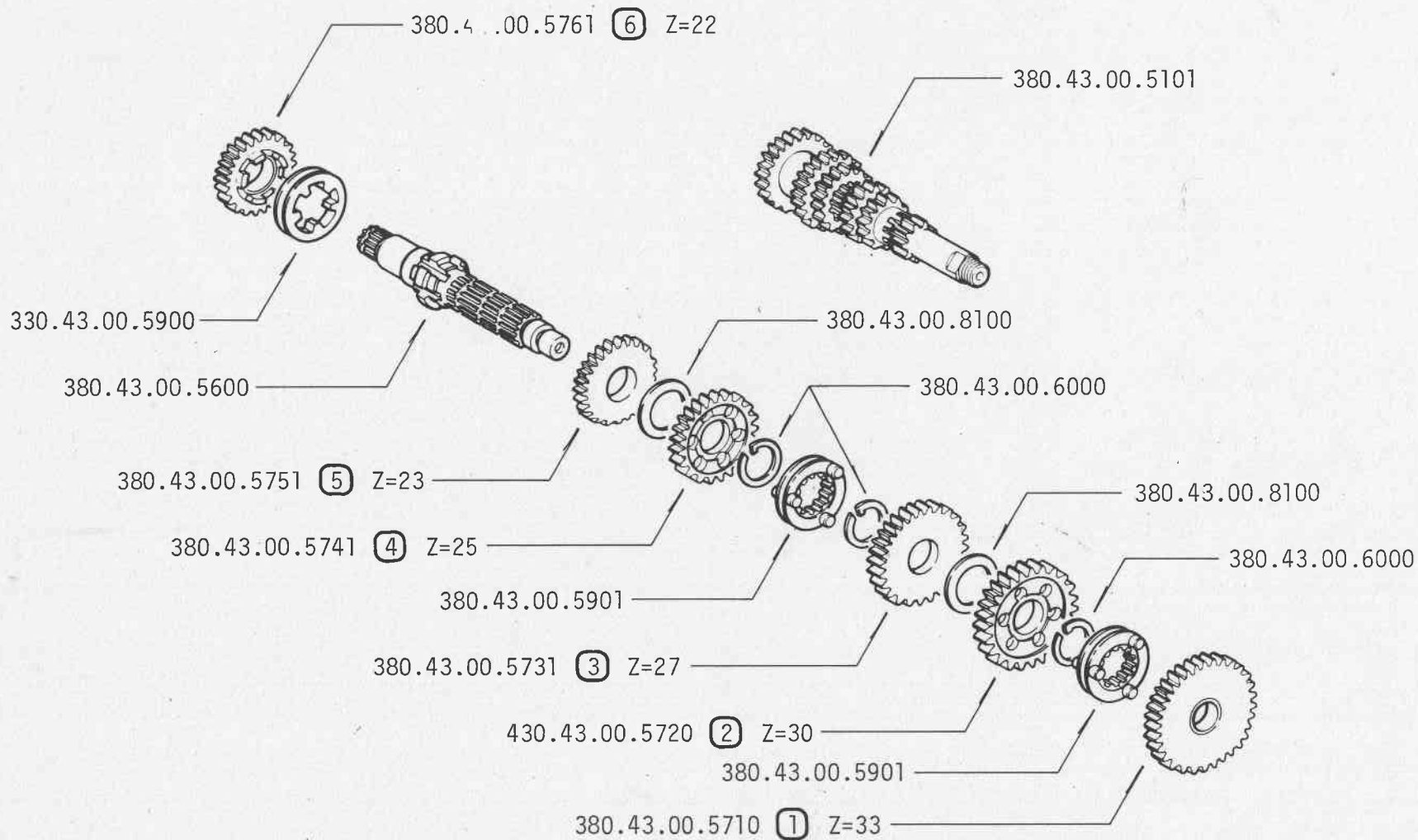
CABALLERO 75cc ENDURO COMPETITION

6 - 1981

N

1/15

FANTIC MOTOR



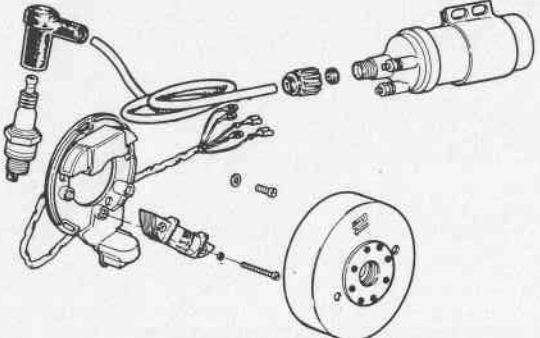


CABALLERO 50cc ENDURO COMPETITION
CABALLERO 75cc ENDURO COMPETITION

6 - 1981

GRUPPO ACCENSIONE
GROUPE ALLUMAGE
IGNITION GROUPE
ZÜNDANLAGE

FANTIC
MOTOR

01	02	03
		
04	05	06
07	08	09

O1

CABALLERO 50cc ENDURO COMPETITION
CABALLERO 75cc ENDURO COMPETITION

6 - 1981

O

1/1

**FANTIC
MOTOR**

150.11.00.6750

160.45.00.6000

160.11.00.6730

160.45.00.5110 (50cc)
370.45.00.5110 (75cc)

150.45.00.5140

167.45.00.5250 (50cc)
370.45.00.5250 (75cc)

Ø 4x8

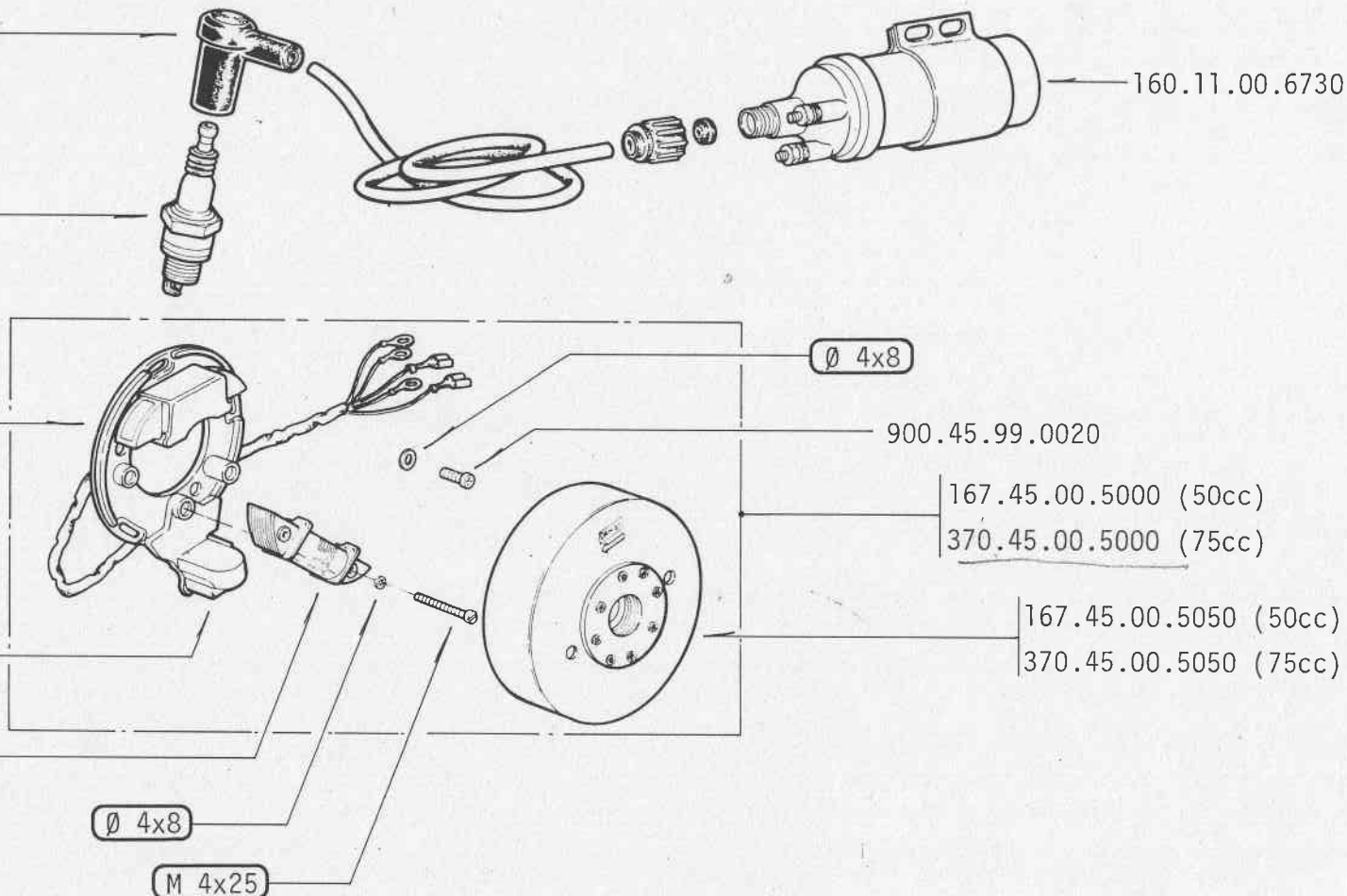
900.45.99.0020

167.45.00.5000 (50cc)
370.45.00.5000 (75cc)

167.45.00.5050 (50cc)
370.45.00.5050 (75cc)

Ø 4x8

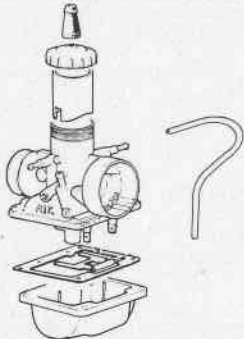
M 4x25



PCABALLERO 50cc ENDURO COMPETITION
CABALLERO 75cc ENDURO COMPETITION

6 - 1981

CARBURATORE
CARBURATEUR
CARBURETTOR
VERGASER**FANTIC
MOTOR**

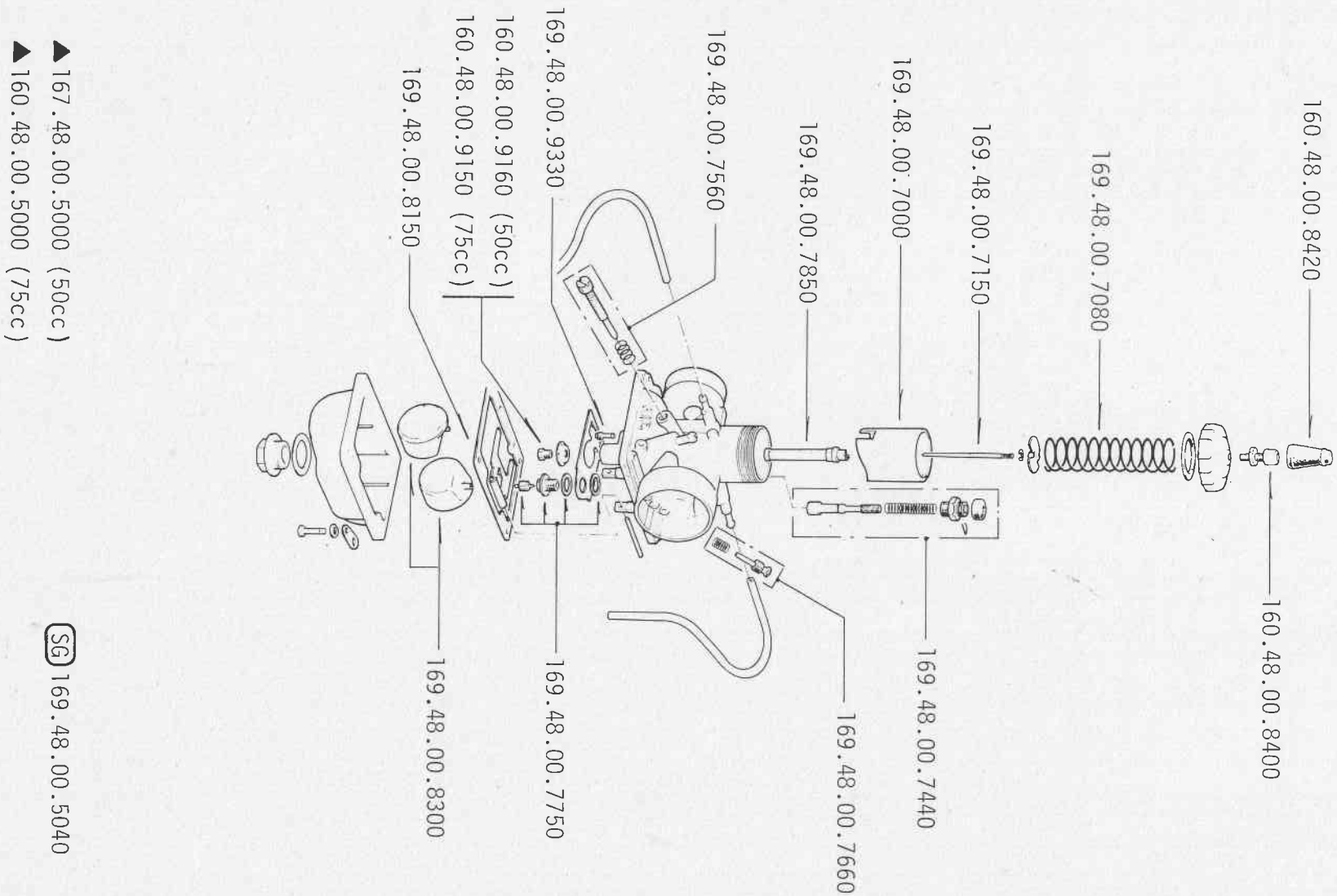
P1	P2	P3
		
P4	P5	P6
P7	P8	P9

P1CABALLERO 50cc ENDURO COMPETITION
CABALLERO 75cc ENDURO COMPETITION

6 - 1981

P

1/1

**FANTIC
MOTOR**

▲ Carburatore completo

▲ Carburateur complet

▲ Carburettor complet

▲ Vergaser Komplett